

KLIMA-FLEX 2 SURFACE MOUNTED LATCH UNIT



The surface mounted Klima-flex 2 handle is a system for insulated doors that open outwards. The handle distinctly clicks into open and closed positions and creates 4 mm compression.

The smooth manoeuvring is due to roller cam and miniature rollers between cam and housing. Rigid three-hole mounting, and optimal cam support ensure gasket compression over time.

The solution is available as through-mounted version if inside release handle, safety catch or rod link system is desired.

Handles to be ordered separately.



MATERIAL

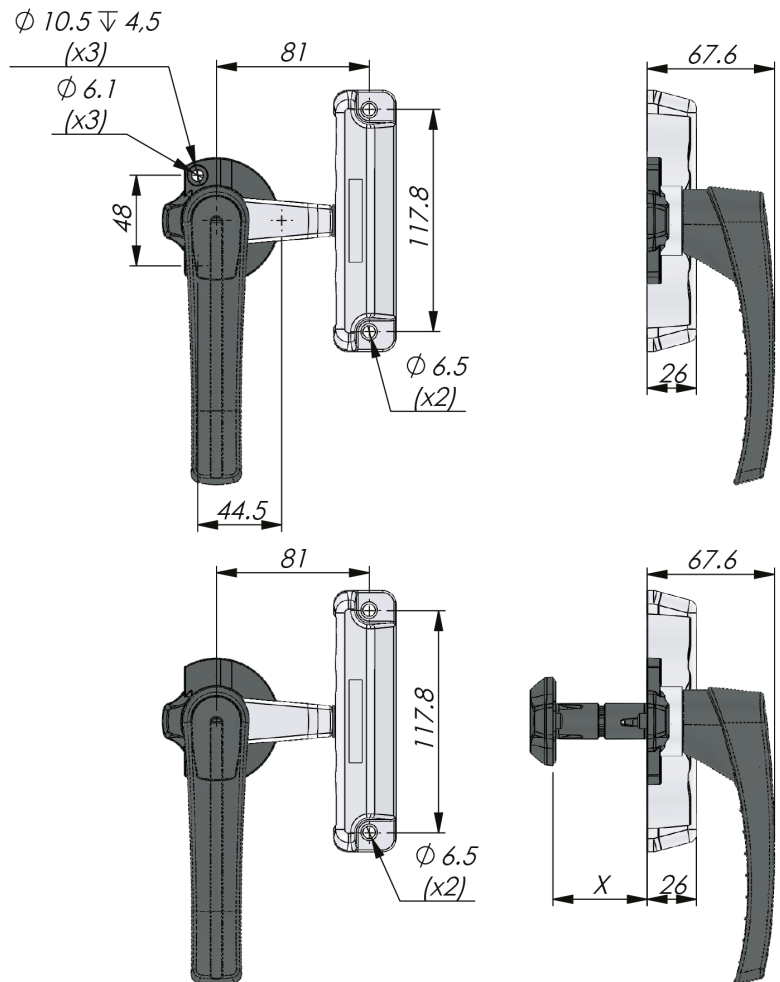
- Cam:** Zinc die cast, zinc plated
- Housing:** Glass fibre reinforced Polyamide (PA6GF30)
- Roller:** Glass fibre reinforced polyamide (PA6GF30)
- Striker:** Zinc die cast, zinc plated or black powder coated

RELATED PRODUCTS

- Handles:** 2-315d
- Inside options:** 2-315f
- Use the Index Code at industrilas.com

TECHNICAL INFORMATION

Standards: VDI 6022



Make your selections in each column to create your article number (AAAA-BBCCDDD-FFF)

AAAA Type	BB Type	CC Material / surface housing	DDD Material / Surface striker	FFF Door thickness
2651 Klima-flex	60 Surface mounted	55 PA6 / Black	130 Zinc, zinc plated	000 If Type = 60
	61 Through mount for inside option		160 Zinc, black powder coated	025 25 mm
				030 30 mm
				035 35 mm
				043 43 mm
				045 45 mm
				050 50 mm
				060 60 mm
				070 70 mm
				075 75 mm
				095 95 mm
				100 100 mm