



# KLIMA-FLEX COMPACT LATCH HINGE

The patented Klima-flex Compact Latch Hinge is specifically for insulated and pressurized doors. The hinge can be adjusted 3 mm in all three directions, it creates 3 mm compression and allows you to open the door 180° in either direction, or to remove the door completely.

A unique feature is that the compression can be adjusted an additional 1,5 or 3,0 mm. The safe two-stage opening process allows the cabinet to depressurize before it is fully opened.

Meets the requirements for sealing level L1 according to DIN EN 1886.



## MATERIAL

**Adjustable off-set device:** Glass fibre reinforced Polyamide (PA6GF30)

**Door part:** Glass fibre reinforced polyamide (PA6GF30)

**Frame part:** Glass fibre reinforced Polyamide (PA6GF30)

**Handle:** Glass fibre reinforced polyamide (PA6GF30)

**Mounting bracket:** Glass fibre reinforced Polyamide (PA6GF30)

**Spring:** Spring steel EN 1.4310

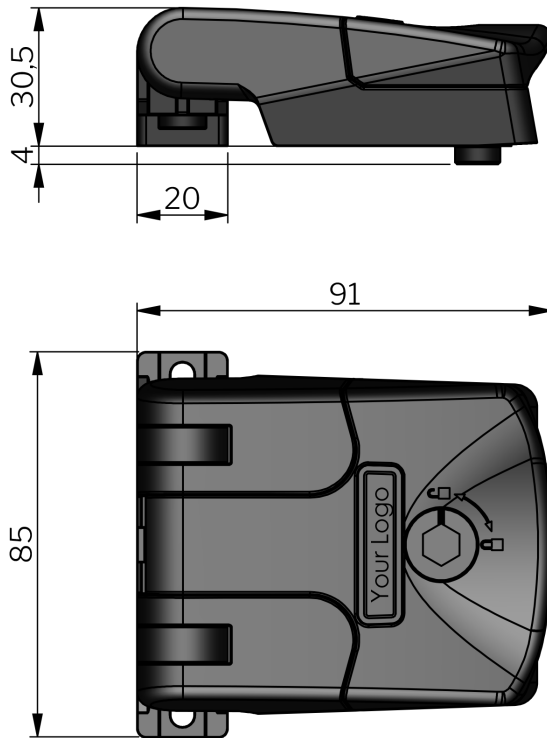
## RELATED PRODUCTS

**Keys:** 2-372, 2-370

Use the Index Code at [industrilas.com](http://industrilas.com)

## TECHNICAL INFORMATION

**Standards:** VDI 6022



**Industrilas**

When access counts

P/N	Description
2651-420034	With safety catch
2651-430034	Without safety catch

