

## DEFEATER HANDLE STANDARD



Padlockable defeater handle equipped with a built-in spring loaded insert, providing a defeater function making the handle compliant with two-handed safety operations requirements. Also equipped with a padlock loop (with  $\varnothing 10$  mm hole) for optional locking. To operate the handle, turn the insert, push the padlock loop and turn the handle. The cast-in threaded steel shaft allows simple cam adjustment. Removable stop for clockwise or counter-clockwise operation. Supplied with nut, screws and gasket. Protection degree IP65, also classed Waterproof according to NEMA 4. Cut-out is Combi-style, with an additional  $\varnothing 8,5$  mm hole.

Products marked with \* are key-locking and are supplied with two keys.



Key extraction: Closed.

### RELATERADE PRODUKTER

**Nycklar:** 2-372, 2-370

**Rod guides:** 2-560, 2-570

**Rod adapters:** 2-541

**Other materials:** 6-210

**Rods:** 2-540, 2-541, 2-545

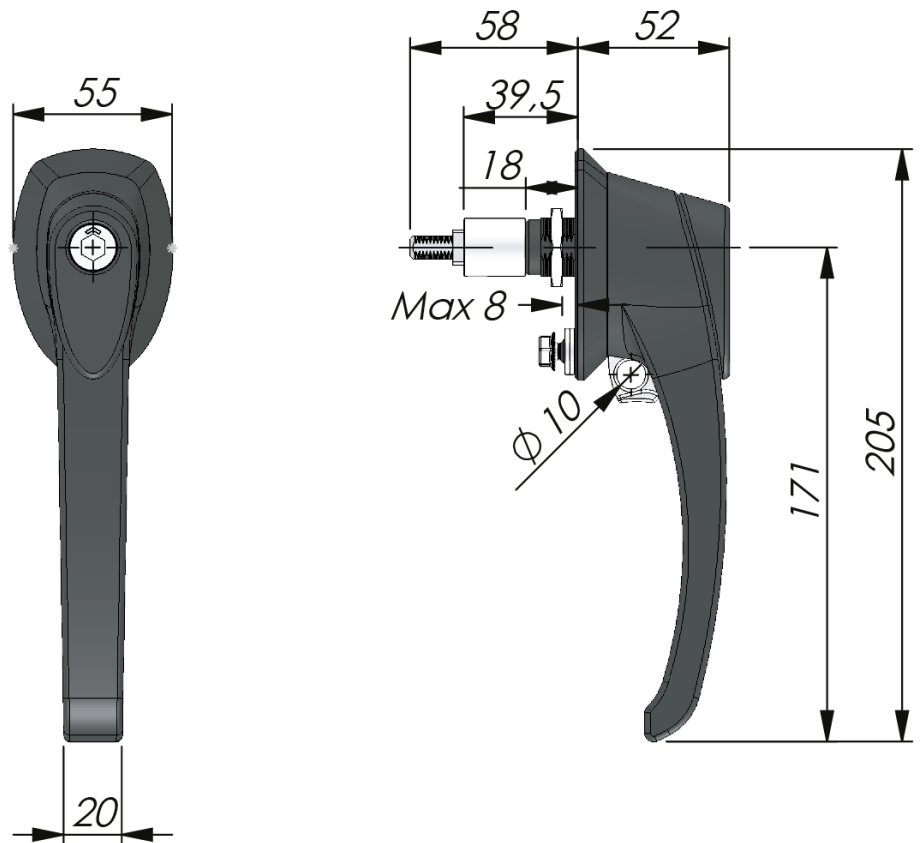
Use the Index Code at [industrilas.com](http://industrilas.com)

### TESTS & STANDARDS

**Key extraction:** Closed

Cams: 12 mm square cut-out, supplied on request.

**Standarder:** IP65, NEMA 4



**Industrilas**  
— When access counts —

Artikelnummer	Insats
261601-01	Hexagon 11
261601-07	Fyrkant 6
261601-08	Fyrkant 7
261601-09	Fyrkant 8
261601-10	Square 8 / slotted
261601-11	Fyrkant 8 / M6
261601-12	Trekant 7
261601-13	Trekant 8
261601-14	Trekant 10
261601-15	Trekant 10 / M6
261601-16	Double bit 3
261601-17	Double bit 5
261601-18	Daimler Benz
261601-19	Trekant 10 / SEN
261601-20	Slotted
261601-21	Recessed hexagon 10
261601-22	Recessed hexagon 8
261601-23	Hexagon 8,5
261601-24	ES3
261601-28	Trekant 10 / M5
261601-41	Slotted recessed
261601-47	Recessed hexagon 8 / 3 mm pin
261601-48	Recessed square 8
261601-49	Slotted 3 mm
261602-10	Cylinder lock keyed alike (IL101) *
261602-20	Cylinder lock keyed to differ *
261603	Solid plug. No defeater - only padlock trigger

