

DEFEATER HANDLE STANDARD



Padlockable defeater handle equipped with a built-in spring loaded insert, providing a defeater function making the handle compliant with two-handed safety operations requirements. Also equipped with a padlock loop (with $\varnothing 10$ mm hole) for optional locking. To operate the handle, turn the insert, push the padlock loop and turn the handle. The cast-in threaded steel shaft allows simple cam adjustment. Removable stop for clockwise or counter-clockwise operation. Supplied with nut, screws and gasket. Protection degree IP65, also classed Waterproof according to NEMA 4. Cut-out is Combi-style, with an additional $\varnothing 8,5$ mm hole.

Products marked with * are key-locking and are supplied with two keys.



Key extraction: Closed.

RELATED PRODUCTS

Keys: 2-372, 2-370

Rod guides: 2-560, 2-570

Rod adapters: 2-541

Other materials: 6-210

Rods: 2-540, 2-541, 2-545

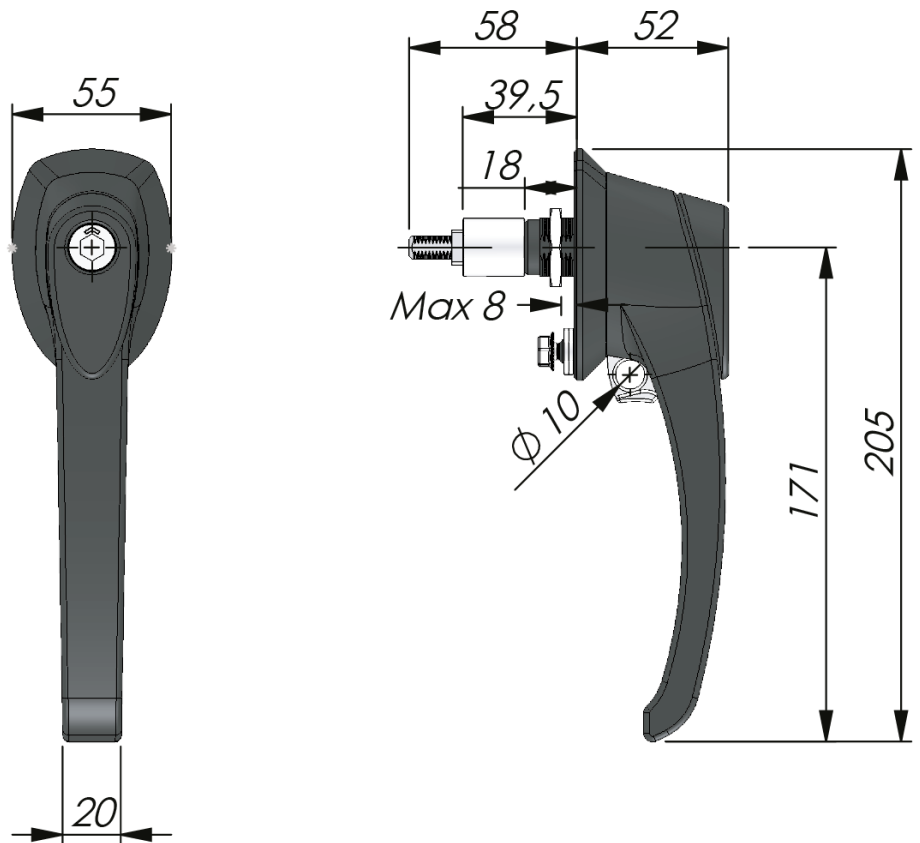
Use the Index Code at industrilas.com

TESTS & STANDARDS

Key extraction: Closed

Cams: 12 mm square cut-out, supplied on request.

Classifications: IP65, NEMA 4



Industrilas
— When access counts —

P/N	Insert
261601-01	Sextavado 11
261601-07	Quadrado 6
261601-08	Quadrado 7
261601-09	Quadrado 8
261601-10	Square 8 / slotted
261601-11	Quadrado 8 / M6
261601-12	Triângulo 7
261601-13	Triângulo 8
261601-14	Triângulo 10
261601-15	Triângulo 10/M6
261601-16	Universal 3mm
261601-17	Universal 5mm
261601-18	Daimler Benz
261601-19	Triângulo 10/SEN
261601-20	Fenda
261601-21	Recessed hexagon 10
261601-22	Recessed hexagon 8
261601-23	Sextavado 8,5
261601-24	ES3
261601-28	Triângulo 10 / M5
261601-41	Slotted recessed
261601-47	Sextavado rebaixado com pino de 8/3 mm
261601-48	Quadrado rebaixado 8
261601-49	Slotted 3 mm
261602-10	Cylinder lock keyed alike (IL101) *
261602-20	Cylinder lock keyed to differ *
261603	Solid plug. No defeater - only padlock trigger

