



DEFEATER HANDLE COMPACT

Padlockable compact defeater handle equipped with a built-in spring loaded insert, providing a defeater function making the handle compliant with two-handed safety operations requirements. Also equipped with a padlock loop (with $\varnothing 10$ mm hole) for optional locking. To operate the handle, turn the insert, push the padlock loop and turn the handle. The cast-in threaded steel shaft allows simple cam adjustment. Removable stop for clockwise or counter-clockwise operation. Supplied with nut, screws and gasket. Protection degree IP65, also classed Waterproof according to NEMA 4. Cut-out is Combi style, with an additional $\varnothing 8,5$ mm hole.

Products marked with * are key-locking and are supplied with two keys.

Key extraction: Closed.



RELATERADE PRODUKTER

Rods: 2-540, 2-541, 2-545

Rod guides: 2-560, 2-570

Rod adapters: 2-541

Other materials: 6-210

Nycklar: 2-370, 2-372

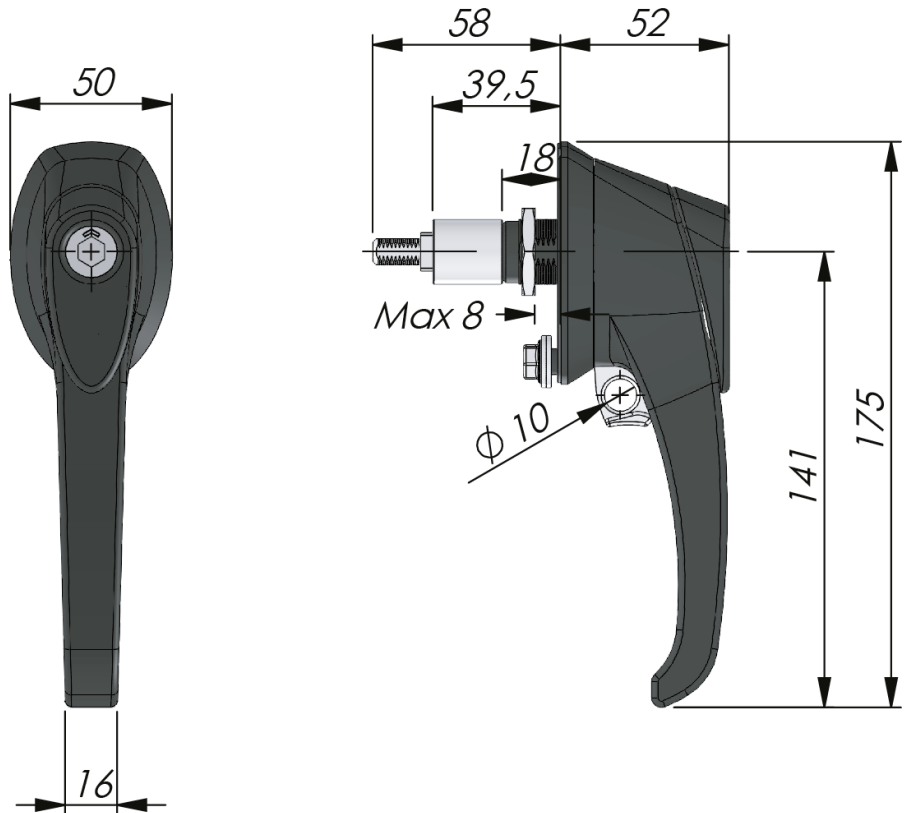
Use the Index Code at industrilas.com

TESTS & STANDARDS

Key extraction: Closed

Cams: 12 mm square cut-out, supplied on request.

Standarder: IP65, NEMA 4



Industrilas
— When access counts —

| Artikelnummer | Insats |
|---------------|--|
| 261611-01 | Hexagon 11 |
| 261611-07 | Fyrkant 6 |
| 261611-08 | Fyrkant 7 |
| 261611-09 | Fyrkant 8 |
| 261611-10 | Square 8 / slotted |
| 261611-11 | Fyrkant 8 / M6 |
| 261611-12 | Trekant 7 |
| 261611-13 | Trekant 8 |
| 261611-14 | Trekant 10 |
| 261611-15 | Trekant 10 / M6 |
| 261611-16 | Double bit 3 |
| 261611-17 | Double bit 5 |
| 261611-18 | Daimler Benz |
| 261611-19 | Trekant 10 / SEN |
| 261611-20 | Slotted |
| 261611-21 | Recessed hexagon 10 |
| 261611-22 | Recessed hexagon 8 |
| 261611-23 | Hexagon 8,5 |
| 261611-24 | ES3 |
| 261611-28 | Trekant 10 / M5 |
| 261611-41 | Slotted recessed |
| 261611-47 | Recessed hexagon 8 / 3 mm pin |
| 261611-48 | Recessed square 8 |
| 261611-49 | Slotted 3 mm |
| 261612-10 | Cylinder lock keyed alike (IL101) * |
| 261612-20 | Cylinder lock keyed to differ * |
| 261613 | Solid plug. No defeater - only padlock trigger |

