

## DEFEATER HANDLE COMPACT



Padlockable compact defeater handle equipped with a built-in spring loaded insert, providing a defeater function making the handle compliant with two-handed safety operations requirements. Also equipped with a padlock loop (with  $\varnothing 10$  mm hole) for optional locking. To operate the handle, turn the insert, push the padlock loop and turn the handle. The cast-in threaded steel shaft allows simple cam adjustment. Removable stop for clockwise or counter-clockwise operation. Supplied with nut, screws and gasket. Protection degree IP65, also classed Waterproof according to NEMA 4. Cut-out is Combi style, with an additional  $\varnothing 8,5$  mm hole.

Products marked with \* are key-locking and are supplied with two keys.

Key extraction: Closed.



### RELATED PRODUCTS

**Rods:** 2-540, 2-541, 2-545

**Rod guides:** 2-560, 2-570

**Rod adapters:** 2-541

**Other materials:** 6-210

**Keys:** 2-370, 2-372

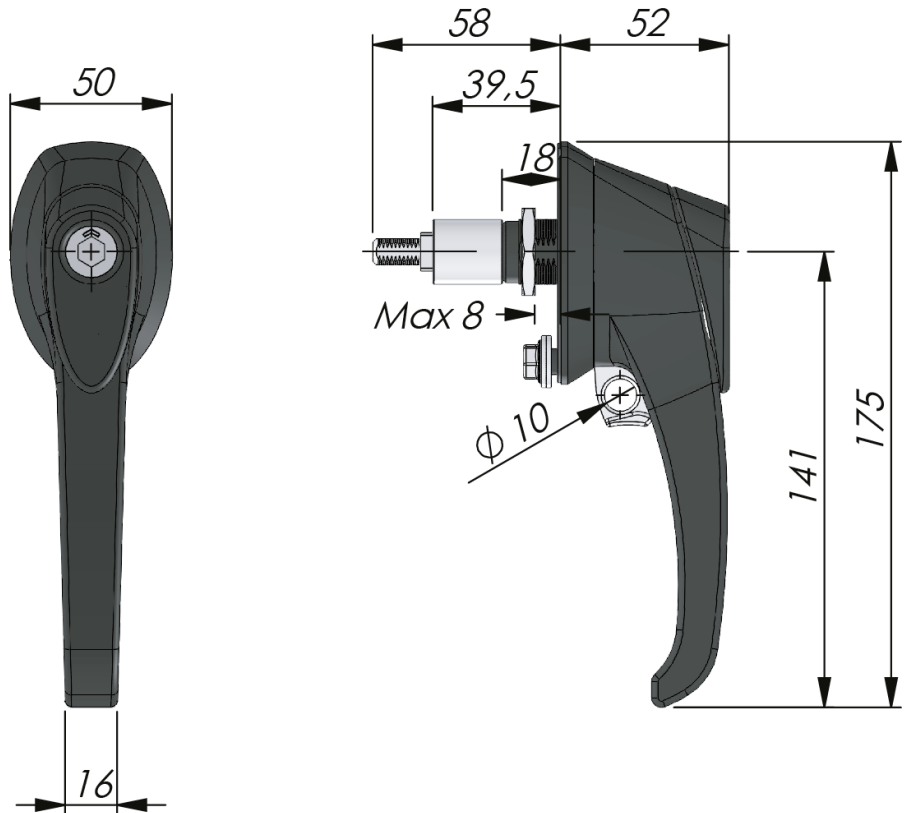
Use the Index Code at [industrilas.com](http://industrilas.com)

### TESTS & STANDARDS

**Key extraction:** Closed

**Cams:** 12 mm square cut-out, supplied on request.

**Classifications:** IP65, NEMA 4



**Industrilas**  
— When access counts —

P/N	Insert
261611-01	Sextavado 11
261611-07	Quadrado 6
261611-08	Quadrado 7
261611-09	Quadrado 8
261611-10	Square 8 / slotted
261611-11	Quadrado 8 / M6
261611-12	Triângulo 7
261611-13	Triângulo 8
261611-14	Triângulo 10
261611-15	Triângulo 10/M6
261611-16	Universal 3mm
261611-17	Universal 5mm
261611-18	Daimler Benz
261611-19	Triângulo 10/SEN
261611-20	Fenda
261611-21	Recessed hexagon 10
261611-22	Recessed hexagon 8
261611-23	Sextavado 8,5
261611-24	ES3
261611-28	Triângulo 10 / M5
261611-41	Slotted recessed
261611-47	Sextavado rebaixado com pino de 8/3 mm
261611-48	Quadrado rebaixado 8
261611-49	Slotted 3 mm
261612-10	Cylinder lock keyed alike (IL101) *
261612-20	Cylinder lock keyed to differ *
261613	Solid plug. No defeater - only padlock trigger

