

DEFEATER HANDLE COMPACT



Padlockable defeater handle equipped with a built-in spring-loaded insert, providing a defeater function that is compliant with two-handed safety operations requirements. To operate the handle, turn the insert, push the padlock loop, and turn the handle.

The cast-in threaded steel shaft allows simple cam adjustment. Removable stop for clockwise or counterclockwise operation. Supplied with nut, screws and gasket. Protection degree IP65 and waterproof according to NEMA 4.



MATERIAL

Cast-in shaft: Hardened steel, zinc plated
Handle: Zinc die cast, black texture powder coated
Insert: Zinc die cast, chrome plated
Nut: Zinc die cast, zinc plated
Gaskets: TPE and NBR
Padlock loop: Zinc die cast, chrome plated
Screw: Steel, zinc plated

RELATED PRODUCTS

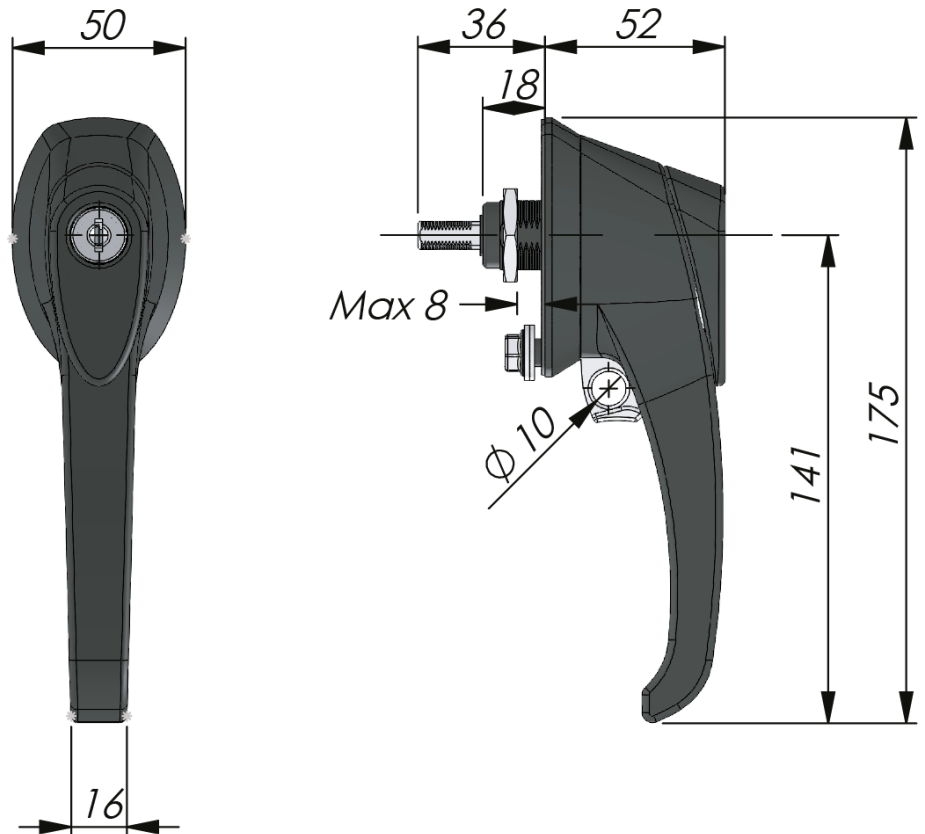
Rods: 2-540, 2-541, 2-545
Keys: 2-372, 2-370
Rod guides: 2-560, 2-570
Rod adapters: 2-541
Other materials: 6-210
Cams: 2-481, 2-491
 Use the Index Code at industrilas.com

TECHNICAL INFORMATION

Key extraction: Closed
Standards: IP65, NEMA 4
Cams: 12 mm square cut-out, supplied on request.

Cutout: Combi style with an additional $\varnothing 8.5$ mm hole

Cylinder information: Supplied with two keys



Industrilas
 — When access counts —

P/N	Insert
261631-01	Hexagon 11
261631-07	Square 6
261631-08	Square 7
261631-09	Square 8
261631-10	Square 8 / slotted
261631-11	Square 8 / M6
261631-12	Triangle 7
261631-13	Triangle 8
261631-14	Triangle 10
261631-15	Triangle 10 / M6
261631-16	Double Bit 3
261631-17	Double Bit 5
261631-18	Daimler Benz
261631-19	Triangle 10 / SEN
261631-20	Slotted
261631-21	Recessed hexagon 10
261631-22	Recessed hexagon 8
261631-23	Hexagon 8,5
261631-24	ES3
261631-28	Triangle 10 / M5
261631-41	Slotted recessed
261631-47	Recessed hexagon 8 / 3 mm pin
261631-48	Recessed square 8
261631-49	Slotted 3 mm
261632-10	Cylinder lock keyed alike (IL101) *
261632-20	Cylinder lock keyed to differ *
261633	Solid plug. No defeater - only padlock trigger

Products marked with * are key-locking and are supplied with two keys.

