

## 密封平嵌式压缩门锁



可防水、防尘的密封平嵌式压缩门锁。可调节抓握距离 11-28 毫米。适合厚度达 7 毫米的门体。可提供不同或相似钥匙上锁的锁芯。锁芯套筒防尘帽上印有不同钥匙上锁的键码和键码 CH751。其他键码仅显示在门锁内侧。随附固定架，方便快速简便地组装。聚氨酯垫圈和 O 型圈确保达到 IP66 防水防尘等级。



### 材质

Latching arm inside sealed area: 锌合金, 镀锌

Gaskets: EPDM

把手: Zinc die cast and/or glass fibre reinforced polyamide (PA6GF30)

Housing: Glass fibre reinforced Polyamide (PA6GF30) or zinc die cast, E-coat and black texture powder coated

安装托架: 尼龙6+30%玻纤

螺母: Zinc die cast, chrome

销: 铜, 镀镍

螺丝: 不锈钢 303

O-ring: NBR

Push button: 尼龙6+30%玻纤

### 相关产品

类似产品: 2-396, 2-397

附件产品: 2-398, 281570-007000

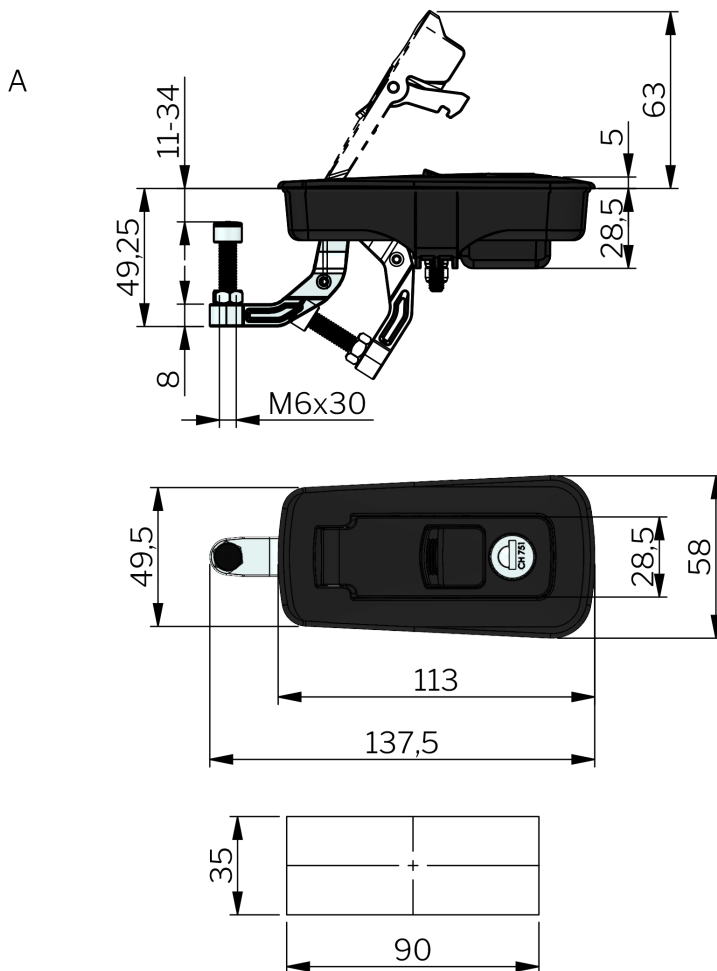
索引编号见网站 [industrilas.com](http://industrilas.com)

### TESTS & STANDARDS

Key extraction: Open / Closed

标准: IP66, DIN EN 61373

Optional 3 mm flat gasket when mounting latch on structured surfaces, such as "diamond plate" etc.



# Industrilas

— When access counts —

每一栏选择对应的数字创建产品编号 (AAAA-BBCDDE-HHHH)

AAAA 款式	BB Housing material	C Surface treatment handle	DD Cylinder	E 组装	HHHH	Cam min	Cam max	图纸
2815 Compression latch	16 Zinc die cast, black	5 黑色纹理喷粉	01 Keyed alike CH751	5 IP66 - assembled	1128	11	34	A
			02 Keyed alike CH752		3461	34	61	B
	50 PA6		03 不同钥匙					
			04 Keyed alike IL753					
			05 Keyed alike IL754					
			06 Keyed alike IL755					
			07 Keyed alike IL756					
			21 相同钥匙 21					
			23 Keyed alike 23					
			25 Keyed alike 25					
			27 Keyed alike 27					
			29 Keyed alike 29					
			31 Keyed alike 31					
			33 Keyed alike 33					
			35 Keyed alike 35					
			37 Keyed alike 37					
			39 Keyed alike 39					

B

