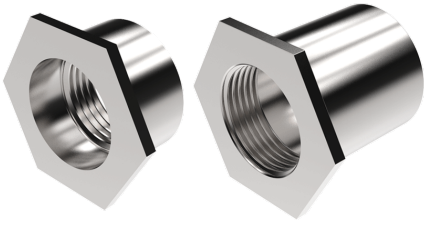


## SPACER NUT



Spacer nut for installing latches in insulated or laminated doors. The nut is used in combination with housing of corresponding length. The nut is supplied in two versions:

X: The threaded area located at the end of the nut (see drawing). Use on long housings to speed up mounting. Clamps on to front panel only.

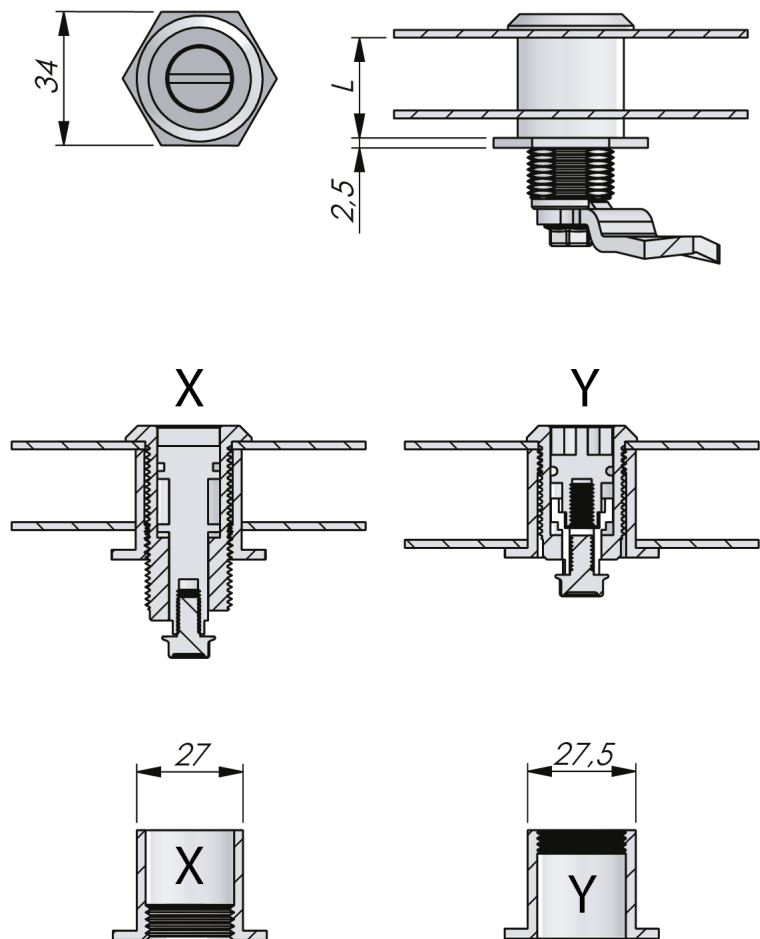
Y: The threaded part located at the open end of the nut (see drawing). Use on thick, insulater or similiar doors. Clamps on to both sides of the double-sided door.

### MATERIAL

Nut: Zinc die cast, zinc plated

### TECHNICAL INFORMATION

Other dimensions are available on request.



| P/N    | Thread Y  | Thread X  |
|--------|-----------|-----------|
| 291118 | L=15,0 mm | -         |
| 291119 | L=23,5 mm | -         |
| 291120 | -         | L=25,5 mm |
| 291121 | -         | L=50,0 mm |
| 291127 | L=38,0 mm | -         |
| 291128 | L=48,0 mm | -         |
| 291129 | L=25,0 mm | -         |
| 291130 | -         | L=48,0 mm |
| 291131 | L=44,0 mm | -         |
| 291132 | L=21,0 mm | -         |
| 291133 | -         | L=37,5 mm |
| 291134 | -         | L=22,5 mm |