

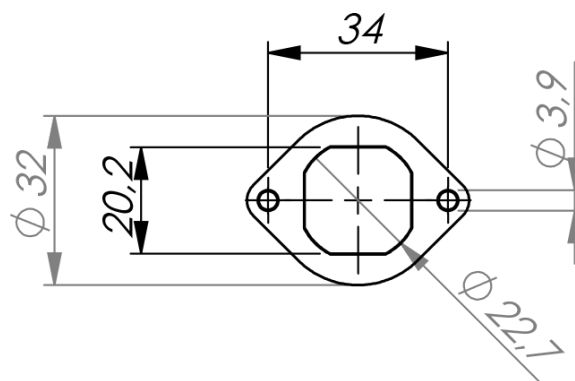
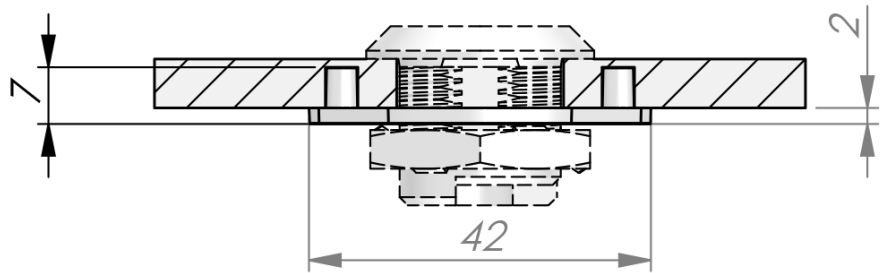
ANTI-ROTATION BRACKET



For use of quarter-turn latch with combi cut-out, in circular holes, for mounting in wood and glass fibre etc.

MATERIAL

Bracket: Zinc die cast, zinc plated or black coated



Industrilas
— When access counts —

P/N	Description
271102	Zinc plated
271502	Black coated