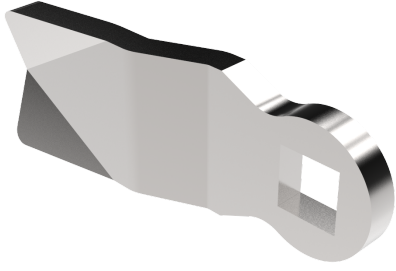


# SINGLE-POINT CAMS STEEL



Single-point cams for use with housings with internal limitation of rotation.

In the drawing, C = housing length, H = outside face to engagement point of cam.

Other lengths and versions available on request.

## MATERIAL

Cam: Steel, zinc plated

## RELATED PRODUCTS

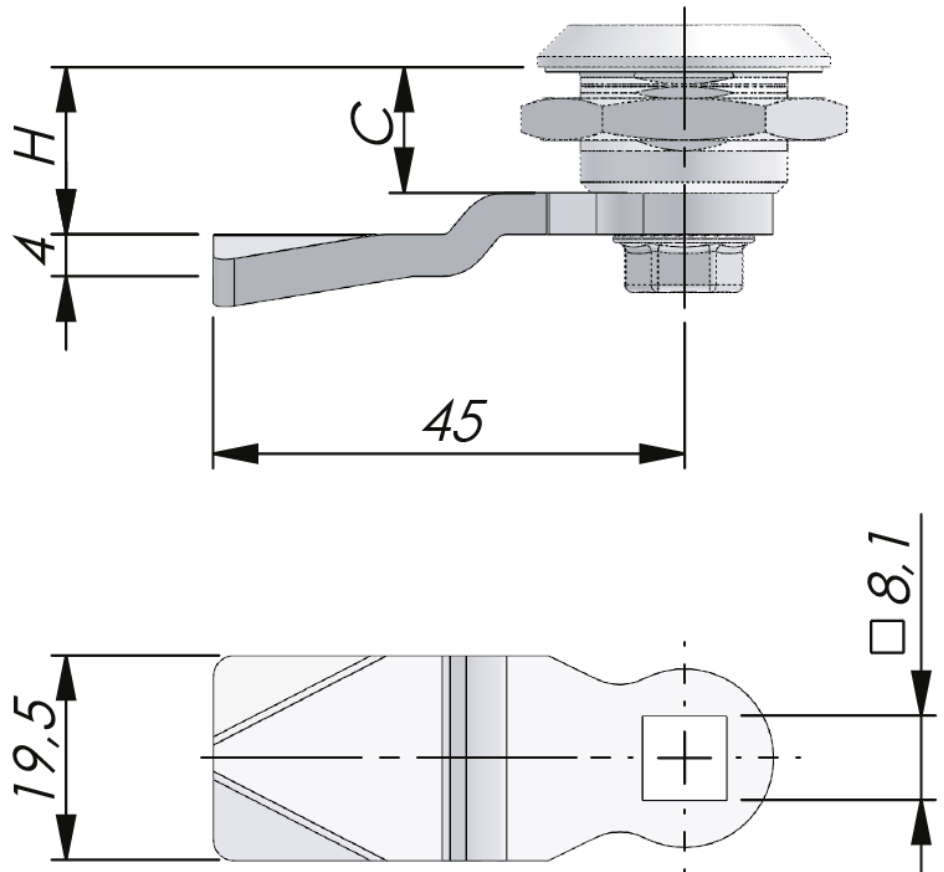
Protective cap: 2-480

Other materials: 2-481

Use the Index Code at [industrilas.com](http://industrilas.com)

## TECHNICAL INFORMATION

H in mm when housing length C=12, 18, 30, 35, 45 or 56 mm.



INDUSTRILAS.COM

P/N	Description	C=12	C=18	C=30	C=35	C=45	C=56
232101-U	---	-	4	16	21	31	42
232102-U	---	-	6	18	23	33	44
232103-U	---	2	8	20	25	35	46
232104-U	---	4	10	22	27	37	48
232105-U	---	6	12	24	29	39	50
232107-U	---	8	14	26	31	41	52
232108-U	---	10	16	28	33	43	54
232109-U	Straight cam	12	18	30	35	45	56
232110-U	---	14	20	32	37	47	58
232111-U	---	16	22	34	39	49	60
232112-U	---	18	24	36	41	51	62
232114-U	---	20	26	38	43	53	64
232115-U	---	22	28	40	45	55	66
232116-U	---	24	30	42	47	57	68
232117-U	---	26	32	44	49	59	70
232118-U	---	28	34	46	51	61	72
232120-U	---	30	36	48	53	63	74
232121-U	---	32	38	50	55	65	76
232122-U	---	34	40	52	57	67	78
232123-U	---	36	42	54	59	69	80
232124-U	---	38	44	56	61	71	82
232127-U	---	44	50	62	67	77	88
232131-U	---	40	46	58	63	73	84
232172-U	---	42	48	60	65	75	86

H in mm when housing length C=12, 18, 30, 35, 45 or 56 mm.