

# THREE-POINT ROLLER CAMS



Roller cam for three-point latching systems with rods. Can remotely operate additional roller cams from a single handle or quarter-turn latch. Supplied with E-clips. Version A without projection is shown in the drawing.



## MATERIAL

**Cam:** Steel, passivated

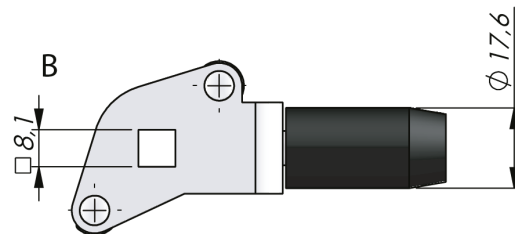
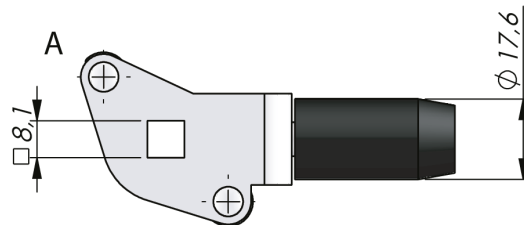
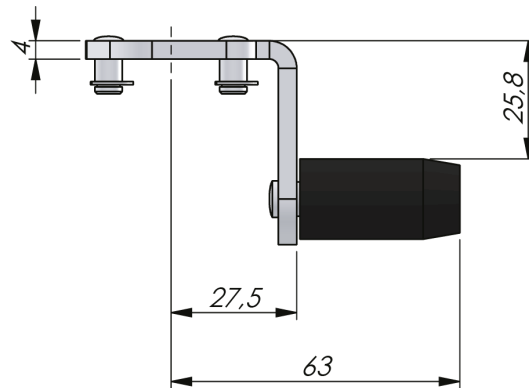
**Roller:** Glass fibre reinforced polyamide (PA6GF30)

**Shaft and E-clip:** Steel, zinc plated

## RELATED PRODUCTS

**Rods:** 2-540, 2-541, 2-545

Use the Index Code at [industrilas.com](http://industrilas.com)



P/N	Description	Drawing
2327S24-R	With projection	A
2327S24-UR	Without projection	A
2327S25-R	With projection	B
2327S25-UR	Without projection	B

**Industrilas**  
— When access counts —