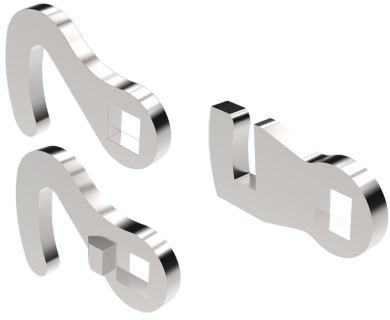


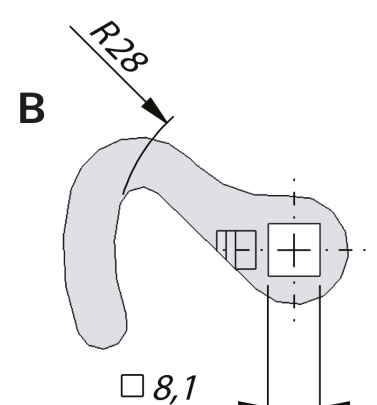
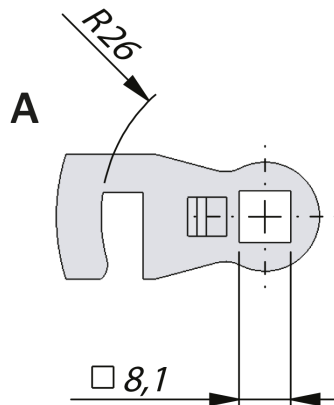
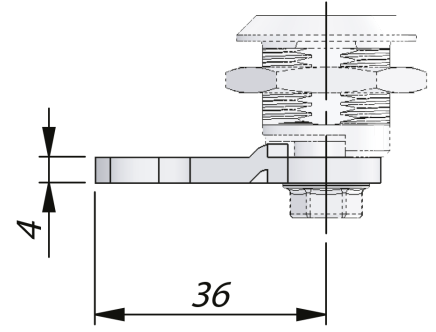
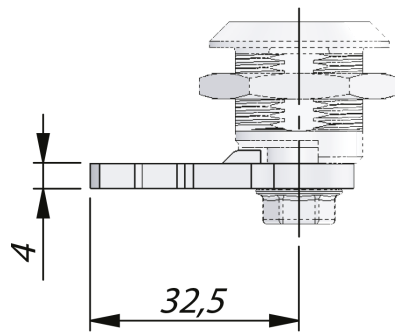
HOOKED CAMS



Hooked cams for quarter-turn latches, locks and handles. With projection for housings with external limitation of rotation, and without projection for housings with internal limitation of rotation.

MATERIAL

Cam: Steel, zinc plated



P/N	Description	Projection	Drawing
232180-1	Right (shown)	Yes	B
232180-2	Left	Yes	B
232180-U	Universal	No	B
232183-1	Right (shown)	Yes	A
232183-2	Left	Yes	A
232183-U	Universal	No	A