

FINGER PULLS AND DUST COVERS



Finger pull (black) and protective dust cover (black) for standard quarter-turn latches with a collar diameter of 28 or 32 mm (see table).

The white protective dust covers for quarter-turn latches using a modified circular cut-out of 16 x 19 mm. These latches are found on Index Code 2-620 and 2-655.



MATERIAL

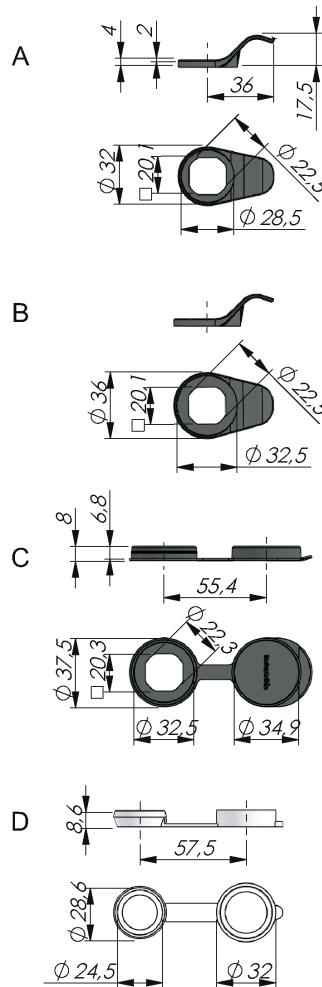
Dust cover, black: TPE

Dust cover, white: Polyethylene

Finger pull: Glass fibre reinforced polyamide (PA6GF30)

TECHNICAL INFORMATION

Add 2 mm to the H-dimension to compensate for plate thickness. If a IP65-product is used with finger pull or dust cover, you need to order a separate flat gasket 297006 to maintain IP65. (See table).



P/N	Description	Collar Ø mm	Colour	Drawing
275018	Dust cover	28-32 mm	Black	C
276001	Dust cover for 16 x 19 mm cutout	24 mm	White	D
295005	Finger pull	28 mm	Black	A
295006	Finger pull	32 mm	Black	B