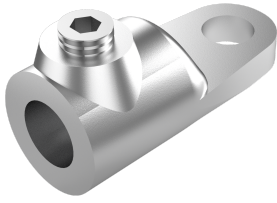


ROD ADAPTERS

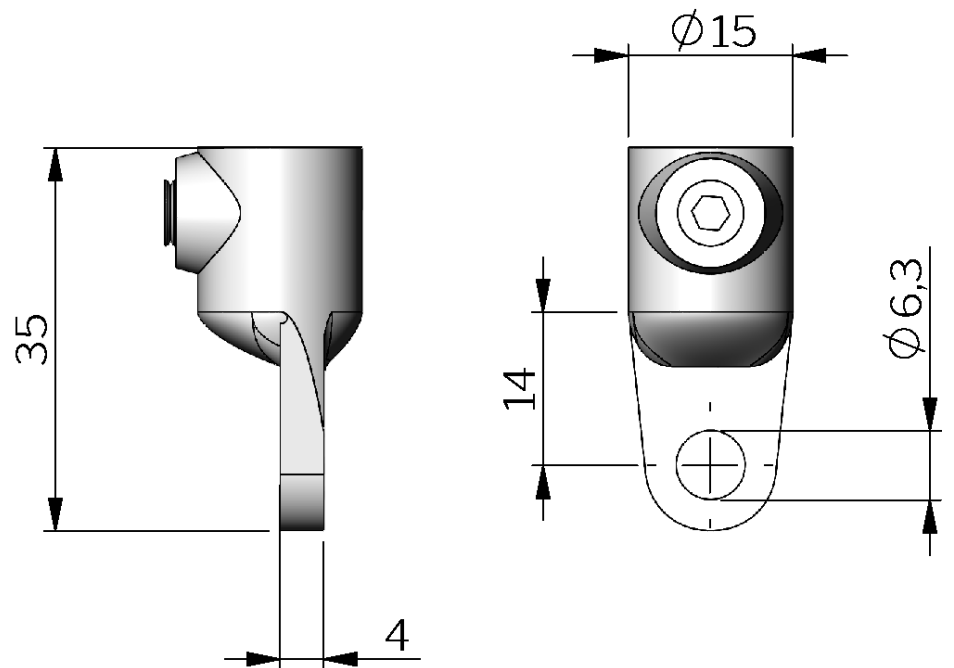


Rod adapters to be used with round rods with rollers (model R).



MATERIAL

Adapter: Zinc die cast, zinc plated or stainless steel 304



P/N	Material	For rod
282119	Zinc die cast	8 mm
282119-10	Zinc die cast	10 mm
282119-6	Zinc die cast	6 mm
283019	Stainless steel 304	8 mm

Industralas
— When access counts —