

CONTINUOUS HINGE



Continuous hinge with recessed holes for screw-on mounting with universal left and right mounting. Supplied in custom cut lengths where this measurement (L in the drawing and table) is stated in millimeters and inserted instead of -LLLL at the end of the part number.

For example: product number 3520-110720-0852 is supplied in lengths of 852 mm. Minimum order quantities applies on custom cut lengths.

Also available in standard length of 3500 mm.



MATERIAL

Hinge: Steel, zinc plated

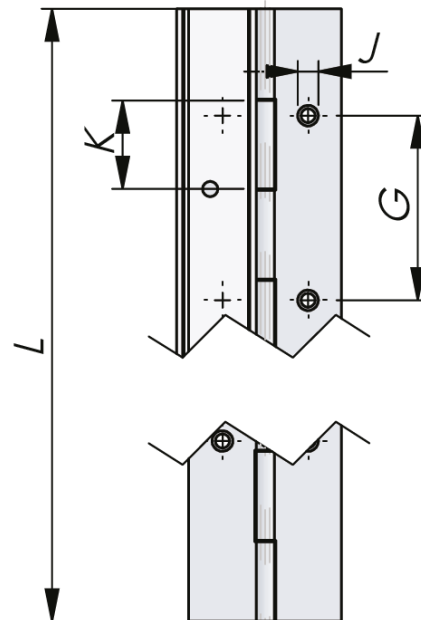
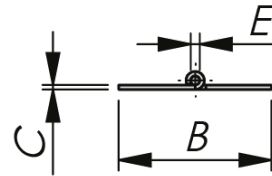
Pin: Steel

RELATED PRODUCTS

Similar products: 3-830

Other materials: 6-550

Use the Index Code at industrilas.com



Industrilas
— When access counts —

Continuous Hinge With Holes - for Screw-On Mounting

B=	J=	C=0,7 mm E=1,75 mm G=60,4 mm K=15 mm	C=1,0 mm E=1,75 mm G=60,5 mm K=15 mm	C=1,25 mm E=2,5 mm G=90 mm K=30 mm	C=1,5 mm E=3,0 mm G=90 mm K=30 mm	C=2,0 mm E=6,0 mm G=90 mm K=30 mm	C=3,0 mm E=6,0 mm G=90 mm K=30 mm
20	3,5	3520-110720- LLLL	-	-	-	-	-
25	3,5	3520-110725- LLLL	3520-111025-LLLL	-	-	-	-
28	4,0	3520-110728- LLLL	3520-111028-LLLL	-	-	-	-
32	4,5	3520-110732- LLLL	3520-111032-LLLL	3520-121232- LLLL	3520-131532- LLLL	-	-
40	5,4	3520-110740- LLLL	3520-111040-LLLL	3520-121240- LLLL	3520-131540- LLLL	3520-162040- LLLL	-
50	6,0	3520-110750- LLLL	3520-111050-LLLL	3520-121250- LLLL	3520-131550- LLLL	3520-162050- LLLL	3520-163050- LLLL
60	6,5	-	-	3520-121260- LLLL	3520-131560- LLLL	3520-162060- LLLL	3520-163060- LLLL
70	6,8	-	-	-	-	3520-162070- LLLL	3520-163070- LLLL
80	7,0	-	-	-	-	3520-162080- LLLL	3520-163080- LLLL
100	7,5	-	-	-	-	3520-162010- LLLL	3520-163010- LLLL