

CORNER HINGE 180°



Polyamide corner hinge for surface mounted doors. The frame part is mounted using one screw and nut from the inside. The door part is attached to the door and the pin is inserted into the hinge. Universal left and right mounting.

For plate thickness 1,2 - 1,5 mm.

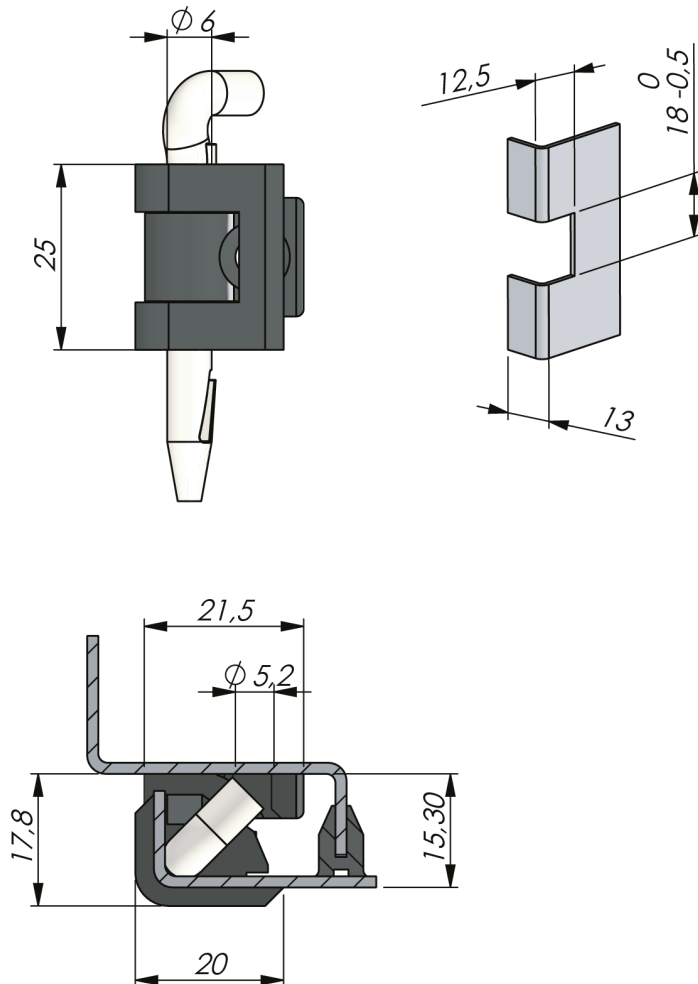


MATERIAL

Door part: Glass fibre reinforced polyamide (PA6GF30)

Frame part: Glass fibre reinforced Polyamide (PA6GF30)

Pin: Delrin



Industralas
— When access counts —

P/N	Description
325006	Polyamide corner hinge