



QUARTER-TURN CYLINDER LOCK STAINLESS STEEL 18 MM

Quarter-turn cylinder lock in acid-proof stainless steel 316. Universal clockwise or counter-clockwise rotation when opening or closing. The cam rotates 90° and the key can be removed in both open and locked position. Supplied with nut and two keys.



MATERIAL

Cylinder: Zinc die cast, stainless steel 304 cap and dust shutter

Housing:

Nut: Stainless steel 316

Screw: Stainless steel 316

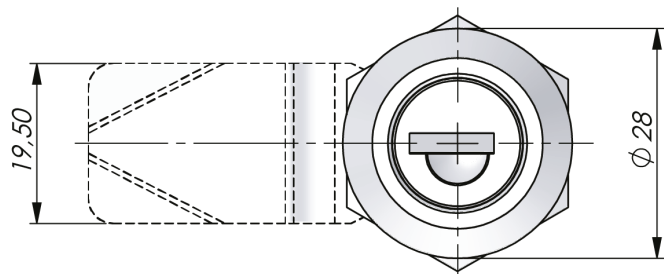
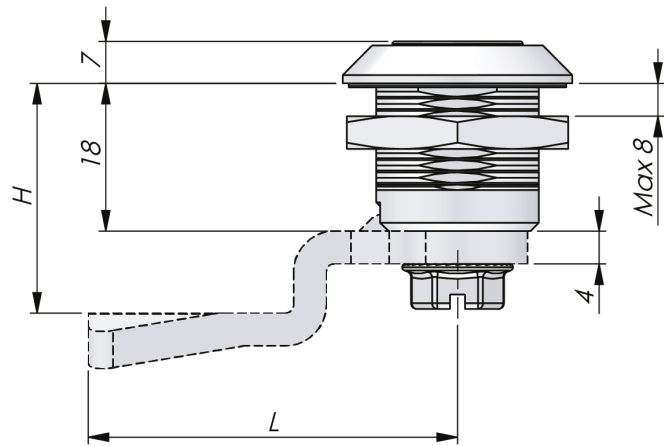
RELATED PRODUCTS

Cams: 2-480

Use the Index Code at industrilas.com

TECHNICAL INFORMATION

Cutout: COMBI



Industrilas
— When access counts —

P/N	Description
249014	Keyed alike IL0333

