



QUARTER-TURN WING KNOB STAINLESS STEEL 18 MM

Padlockable quarter-turn wing knob in acid-proof stainless steel 316. The rotation of the wing knob can be blocked with a padlock. Universal clockwise or counter-clockwise rotation when opening or closing the knob. Protection degree IP65. Supplied with nut.



MATERIAL

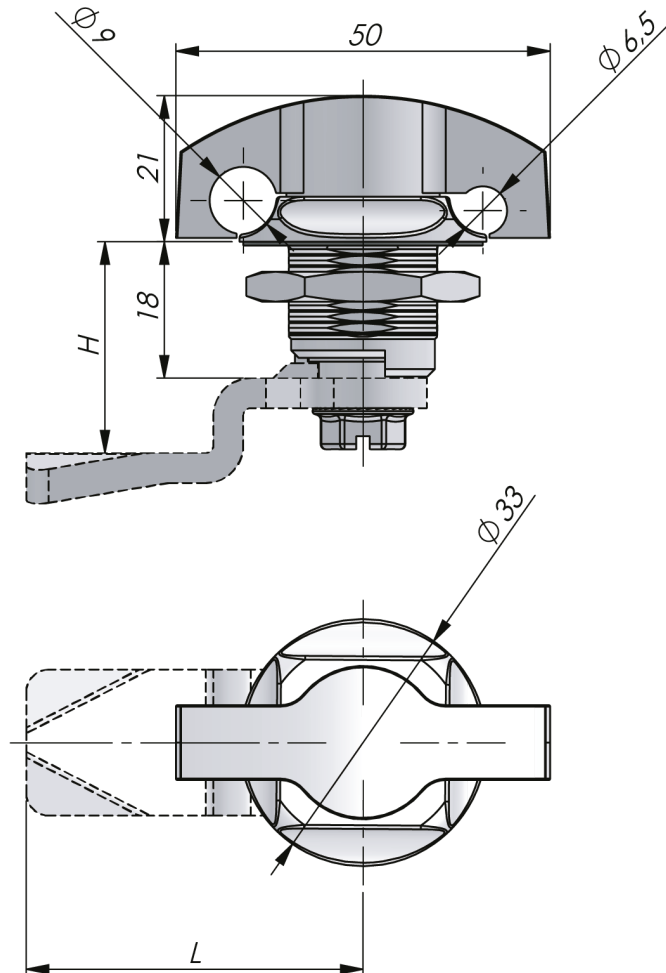
Housing: Stainless steel 316
Knob: Stainless steel 316
Nut: Stainless steel 316
Screw: Stainless steel 316

RELATED PRODUCTS

Rod guides: 2-560, 2-570
Rod adapters: 2-541
Cams: 2-480, 2-490
Rods: 2-540, 2-545, 2-541
 Use the Index Code at industrilas.com

TECHNICAL INFORMATION

Standards: IP65



Industrilas
 — When access counts —

P/N	Description
249085	Padlockable wing knob

