

SNAP LATCH



Latch for quick snap-in mounting in small doors and panels with a thickness of 2,5 mm. Moulded in one piece with a slotted front allowing you to open the latch with a regular flat-headed screwdriver. The inside of the latch is equipped with a small grip for manual opening of the latch. A cam is simply snapped into position providing a very quick-assembled latch.

Use with cams from the table below only. Special cams made on request.



MATERIAL

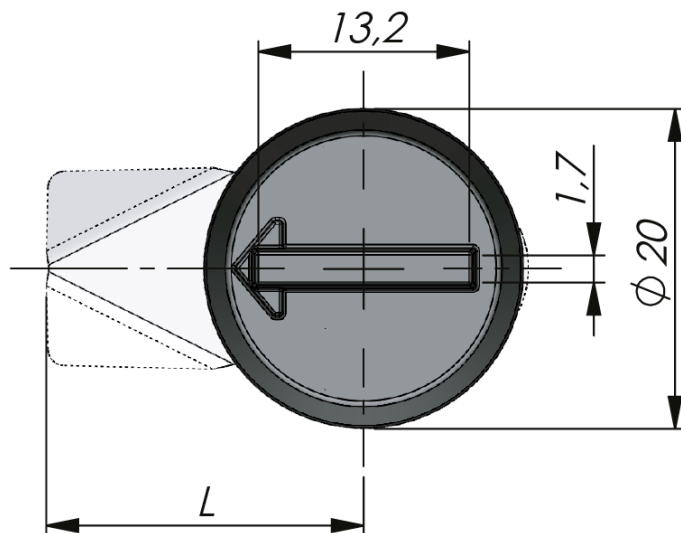
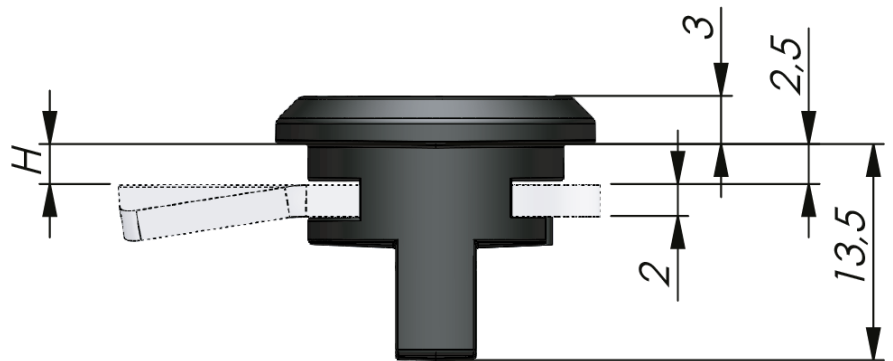
Cam: Steel, zinc plated

Snap latch: Glass fibre reinforced polyamide (PA6GF30), black

RELATED PRODUCTS

Cams: 2-111

Use the Index Code at industrilas.com



Industrilas
— When access counts —

P/N	Description
245001	Snap latch, slotted

