

KLIMA-FLEX 1 ACID-PROOF HANDLE



Industrilas Klim-flex™ 1 handle manufactured in acid-proof stainless steel 316. Fits all latching units in the Klima-flex 1 serie.



MATERIAL

Handle: Stainless steel 316

RELATED PRODUCTS

Latching units: 2-311ab, 2-311cd, 2-316a, 2-316b

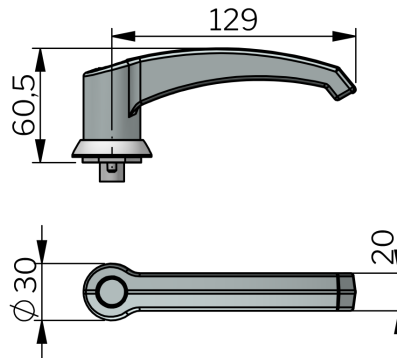
Safety catches: 2-314

Needed components for a complete system:
2-311ef

Use the Index Code at industrilas.com

TECHNICAL INFORMATION

Standards: VDI 6022



Industrilas
— When access counts —

P/N	Description
269076-00	Non-locking K1 handle, stainless steel 316

Index Code: 2-311ef