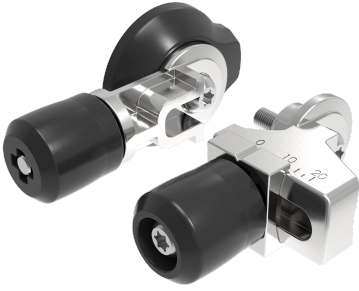


# KLIMA-FLEX 2 ROLLER CAM



The Klima-flex 2 Roller Cam reduces operational friction and increase the gasket compression. It is adjustable with a Torx-bit (T-30) and you can therefore set it according to your requirements, to ensure the door closes smoothly and is securely shut.

If you desire, you can connect several roller cams to be operated by one handle.



**MATERIAL**

**Roller cam:** Zinc die cast, zinc plated, steel, zinc plated and glass fibre reinforced Polyamide (PA6GF30), black

**RELATED PRODUCTS**

**Interlink rods:** 2-313a

**Cams:** 2-315c

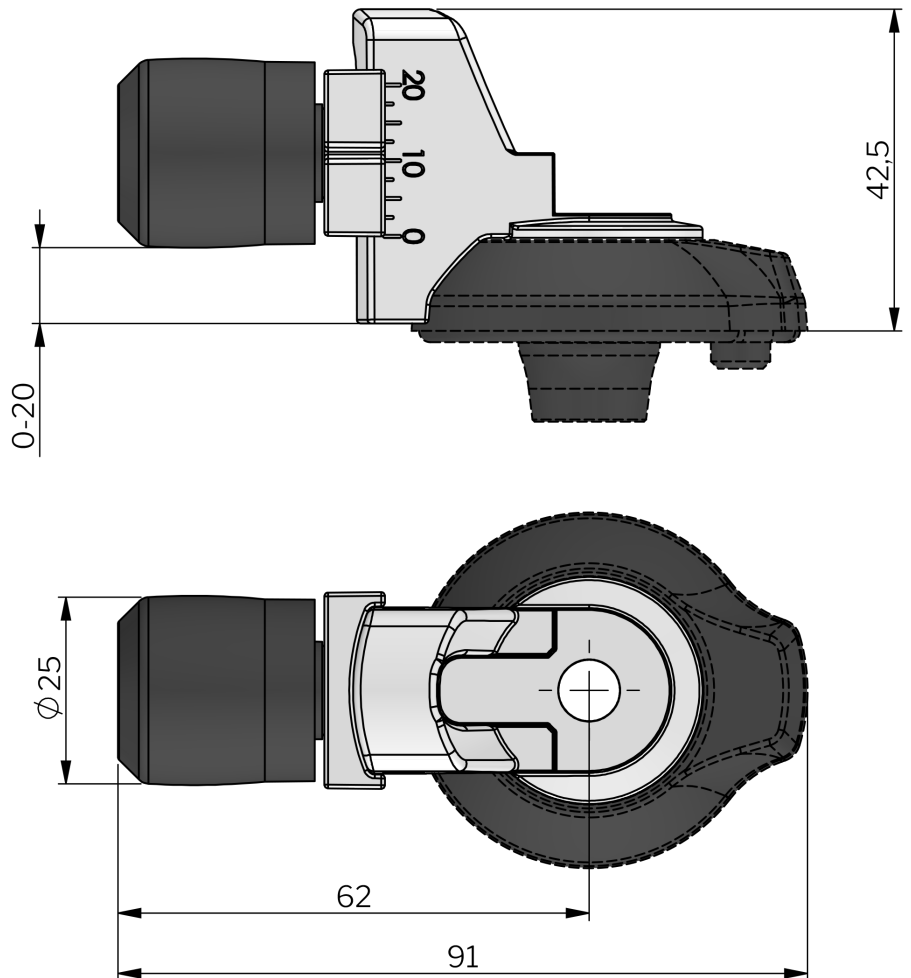
**Needed components for a complete system:** 2-315c, 2-315d

**Rod links:** 2-315f

Use the Index Code at [industrilas.com](http://industrilas.com)

**TECHNICAL INFORMATION**

**Standards:** VDI 6022



P/N	Description
2651-305125-0062	Adjustable roller cam
2651-355125-0162	Fixed roller cam

