



## KLIMA-FLEX 2 ROD LINK

Rod link for Klima-flex 2. In the Klima-flex 2 system you can combine a safety catch, rod link and/or inside security handle with the inside roller cam.

With the use of rod links and interlink rods (Index Code 2-313a), you can also connect latching points to other latching points, allowing you to operate several latching points with one handle.

VDI  
6022

### MATERIAL

**Rod link:** Steel, zinc plated

**Rod connection:** Zinc die cast, zinc plated

**Screw:** Steel, zinc plated

### RELATED PRODUCTS

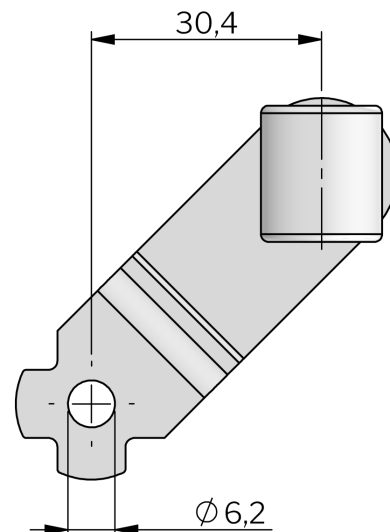
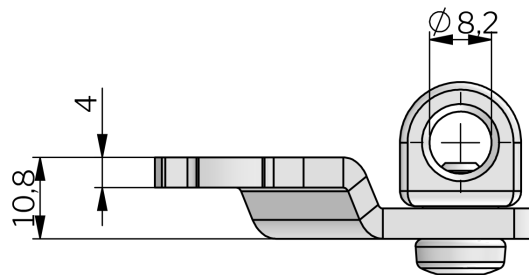
**Interlink rods:** 2-313a

**Inside options:** 2-315c

Use the Index Code at [industrilas.com](http://industrilas.com)

### TECHNICAL INFORMATION

**Standards:** VDI 6022



**Industrilas**  
— When access counts —

P/N

2651-902001

Description

Rod link Klima-flex 2