

KLIMA-FLEX 2 ROD LINK FOR INSIDE HANDLE



Rod link for Klima-flex 2 Inside Handle. In the Klima-flex 2 system you can combine a safety catch, rod link and/or inside security handle with the inside roller cam.

VDI
6022

MATERIAL

Rod link: Zinc die cast, zinc plated

Screw: Steel, zinc plated

RELATED PRODUCTS

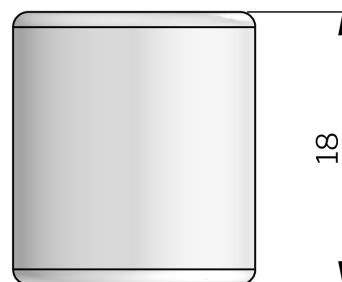
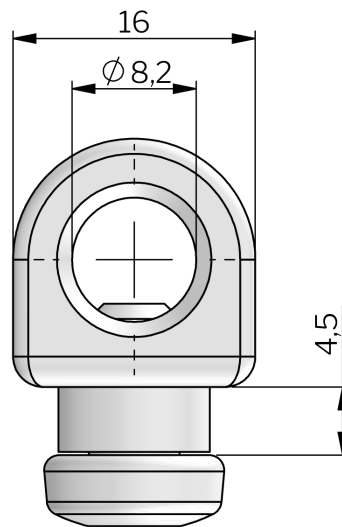
Interlink rods: 2-313a

Handles: 2-315f

Use the Index Code at industrilas.com

TECHNICAL INFORMATION

Standards: VDI 6022



Industrilas
— When access counts —

P/N	Description
2651-903002	Separate rod link part for mounting on inside security handle