

QUARTER-TURN KNOB LATCH



Latching unit with a compact, drop-shaped knob. Rotate the handle 90° to open or close. For door thickness 23-25 mm.



MATERIAL

Housing: Glass fibre reinforced Polyamide (PA6GF30)

Knob: Glass fibre reinforced polyamide (PA6GF30)

Screw: Steel, zinc plated

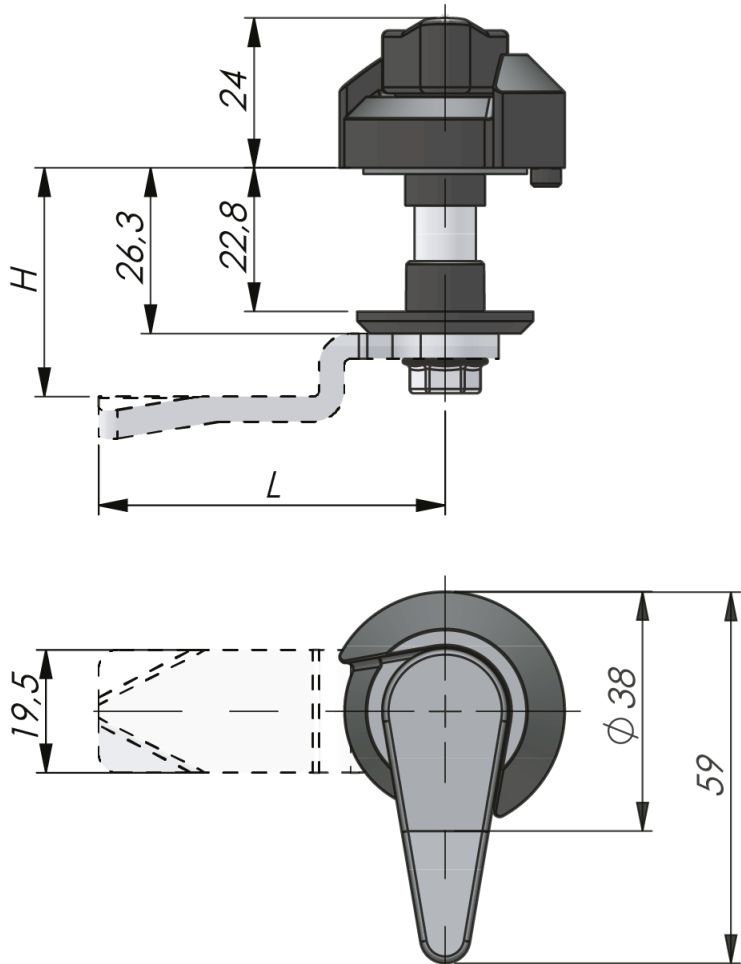
Shaft: Zinc die cast, zinc plated

Washer: Glass fibre reinforced Polyamide (PA6GF30)

RELATED PRODUCTS

Cams: 2-481

Use the Index Code at industrilas.com



P/N	Description
245020	Drop shaped knob latch

Small hole towards hinge side of door

