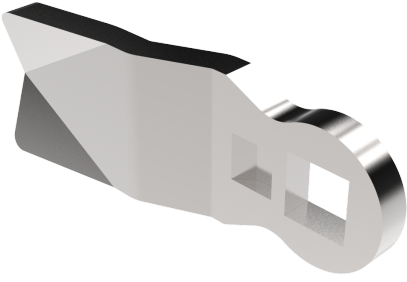


# SINGLE-POINT CAMS CLASSIC SS 304



Single-point cams for use with housings with external limitation of rotation.

In the drawing, A = the projection, C = housing length, H = outside face to engagement point of cam.

Other lengths and versions available on request.



#### MATERIAL

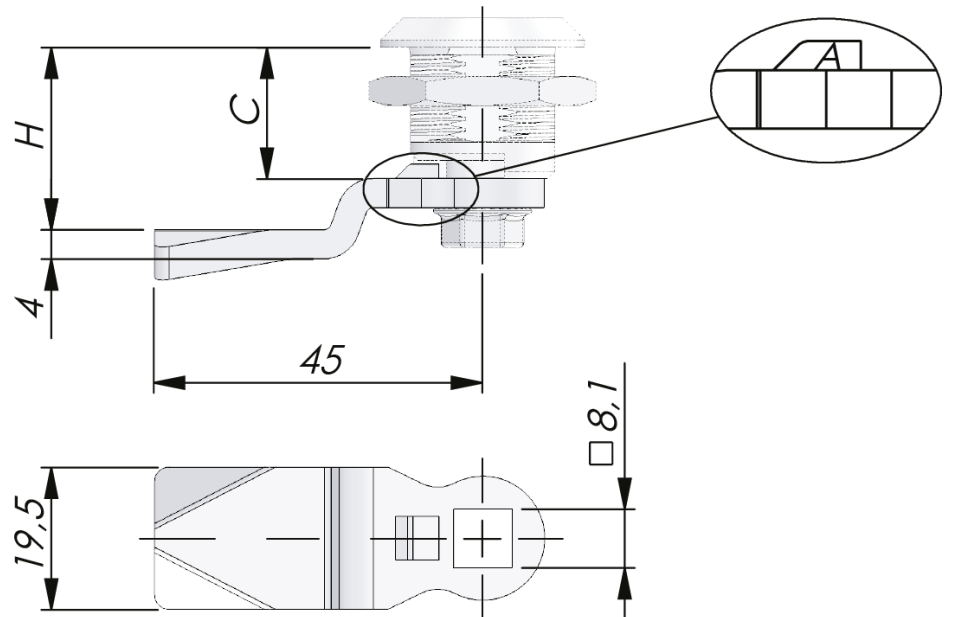
Cam: Stainless steel 304

#### RELATED PRODUCTS

Protective cap: 2-480

Other materials: 2-480

Use the Index Code at [industralas.com](http://industralas.com)



INDUSTRILAS.COM

P/N	Description	C=12	C=18	C=30	C=40	C=45	C=50	C=56	C=60
233001	---	-	4	16	26	31	36	42	46
233002	---	-	6	18	28	33	38	44	48
233003	---	2	8	20	30	35	40	46	50
233004	---	4	10	22	32	37	42	48	52
233005	---	6	12	24	34	39	44	50	54
233007	---	8	14	26	36	41	46	52	56
233008	---	10	16	28	38	43	48	54	58
233009	Straight cam	12	18	30	40	45	50	56	60
233010	---	14	20	32	42	47	52	58	62
233011	---	16	22	34	44	49	54	60	64
233012	---	18	24	36	46	51	56	62	66
233014	---	20	26	38	48	53	58	64	68
233015	---	22	28	40	50	55	60	66	70
233016	---	24	30	42	52	57	62	68	72
233017	---	26	32	44	54	59	64	70	74
233018	---	28	34	46	56	61	66	72	76
233020	---	30	36	48	58	63	68	74	78
233021	---	32	38	50	60	65	70	76	80
233022	---	34	40	52	62	67	72	78	82
233023	---	36	42	54	64	69	74	80	84
233024	---	38	44	56	66	71	76	82	86
233027	---	44	50	62	72	77	82	88	92
233031	---	40	46	58	68	73	78	84	88
233072	---	42	48	60	70	75	80	86	90

H in mm when housing length C=12, 18, 30, 40, 45, 50, 56 or 60 mm.