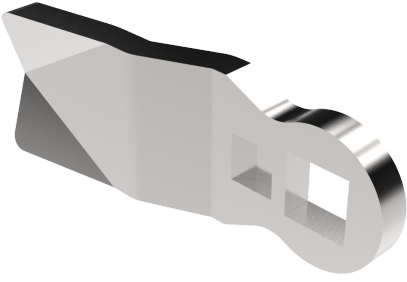


SINGLE-POINT CAMS CLASSIC SS

316



Single-point cams for use with housings with external limitation of rotation.

In the drawing, A = the projection, C = housing length, H = outside face to engagement point of cam.

Other lengths and versions available on request.



MATERIAL

Cam: Stainless steel 316

RELATED PRODUCTS

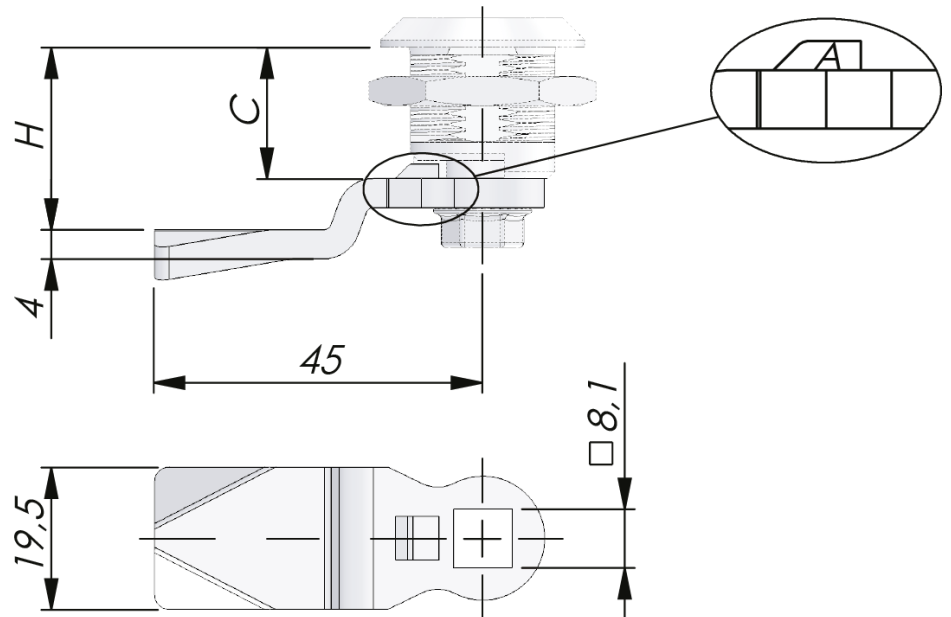
Protective cap: 2-480

Other materials: 2-480

Use the Index Code at industralas.com

TECHNICAL INFORMATION

H in mm when housing length C=12, 18, 30, 40, 45, 50, 56 or 60 mm.



INDUSTRILAS.COM

P/N	Description	C=12	C=18	C=30	C=40	C=45	C=50	C=56	C=60
239001	---	-	4	16	26	31	36	42	46
239002	---	-	6	18	28	33	38	44	48
239003	---	2	8	20	30	35	40	46	50
239004	---	4	10	22	32	37	42	48	52
239005	---	6	12	24	34	39	44	50	54
239007	---	8	14	26	36	41	46	52	56
239008	---	10	16	28	38	43	48	54	58
239009	Straight cam	12	18	30	40	45	50	56	60
239010	---	14	20	32	42	47	52	58	62
239011	---	16	22	34	44	49	54	60	64
239012	---	18	24	36	46	51	56	62	66
239014	---	20	26	38	48	53	58	64	68
239015	---	22	28	40	50	55	60	66	70
239016	---	24	30	42	52	57	62	68	72
239017	---	26	32	44	54	59	64	70	74
239018	---	28	34	46	56	61	66	72	76
239020	---	30	36	48	58	63	68	74	78
239021	---	32	38	50	60	65	70	76	80
239022	---	34	40	52	62	67	72	78	82
239023	---	36	42	54	64	69	74	80	84
239024	---	38	44	56	66	71	76	82	86
239027	---	44	50	62	72	77	82	88	92
239031	---	40	46	58	68	73	78	84	88
239072	---	42	48	60	70	75	80	86	90

H in mm when housing length C=12, 18, 30, 40, 45, 50, 56 or 60 mm.