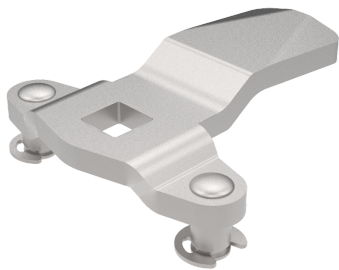


VISION-TREPUNKTSREGLAR, SS 304



Trepunktsreglar utan knaster för svänghandtag. Slag: 20 mm. E-clips medföljer. I ritningen och tabellen nedan är A insidan mot regelns ingreppspunkt.



MATERIAL

Regel: Rostfritt stål 304

RELATERADE PRODUKTER

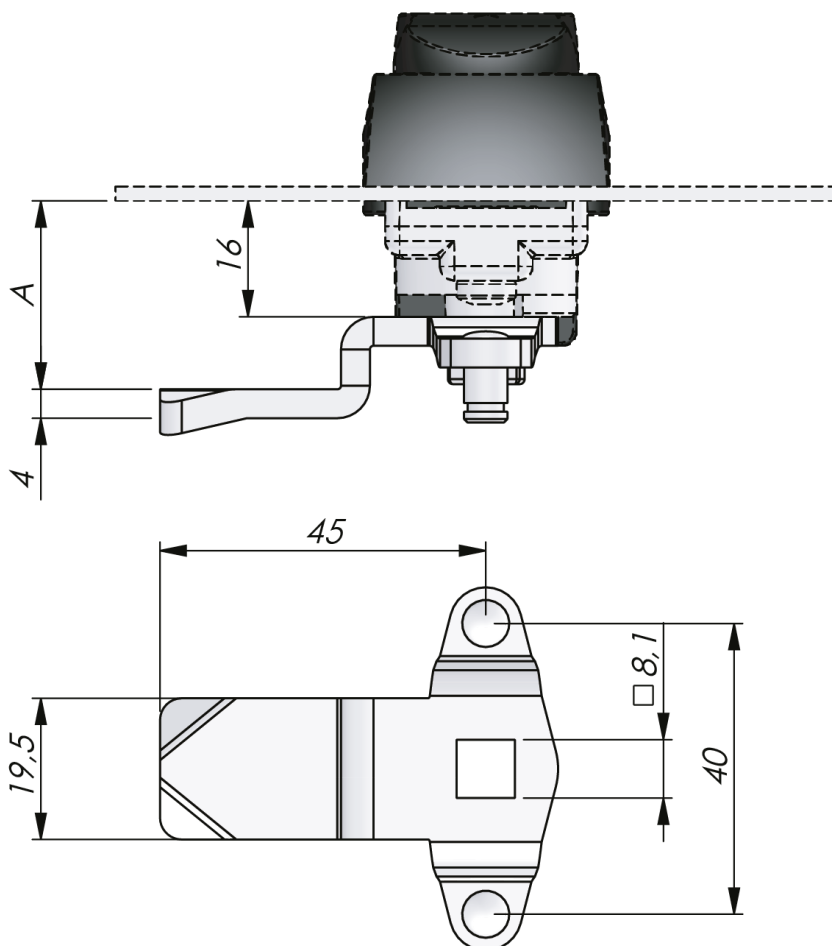
Other materials: 1-008.50

Liknande produkter: 1-008.50

Use the Index Code at industrilas.com

TESTS & STANDARDS

Other cam sizes and cam versions are available on request.



Artikelnummer	Beskrivning	Material	A
2330S01PU	3-point cam	Rostfritt stål 304	2
2330S02PU	3-point cam	Rostfritt stål 304	4
2330S03PU	3-point cam	Rostfritt stål 304	6
2330S04PU	3-point cam	Rostfritt stål 304	8
2330S05PU	3-point cam	Rostfritt stål 304	10
2330S07PU	3-point cam	Rostfritt stål 304	12
2330S08PU	3-point cam	Rostfritt stål 304	14
2330S09PU	3-point cam *	Rostfritt stål 304	16
2330S10PU	3-point cam	Rostfritt stål 304	18
2330S11PU	3-point cam	Rostfritt stål 304	20
2330S12PU	3-point cam	Rostfritt stål 304	22
2330S14PU	3-point cam	Rostfritt stål 304	24
2330S15PU	3-point cam	Rostfritt stål 304	26
2330S16PU	3-point cam	Rostfritt stål 304	28
2330S17PU	3-point cam	Rostfritt stål 304	30
2330S18PU	3-point cam	Rostfritt stål 304	32
2330S20PU	3-point cam	Rostfritt stål 304	34
2330S21PU	3-point cam	Rostfritt stål 304	36
2330S22PU	3-point cam	Rostfritt stål 304	38
2330S23PU	3-point cam	Rostfritt stål 304	40
2330S24PU	3-point cam	Rostfritt stål 304	42
2330S27PU	3-point cam	Rostfritt stål 304	48
2330S28PU	3-point cam	Rostfritt stål 304	46
2330S29PU	3-point cam	Rostfritt stål 304	44

* Art.nr 2330S09PU är med rak regel.