

ROUND RODS FOR ADAPTERS 25 MM ROLLERS (R) SS 304



Round $\varnothing 8$ mm rod with 25 mm roller, for handles and latches with multi-point cams. Rod model R is used with a rod adapter (to be ordered separately). The length L in the drawing is the total length to the end of the roller. The adapter adds 14 mm to the total length (see drawing).

Rod model R-L has a stamped, flat end with an eye.



MATERIAL

Rivet: Stainless steel 304

Rod: Stainless steel 304

Roller: Glass fibre reinforced polyamide (PA6GF30)

RELATED PRODUCTS

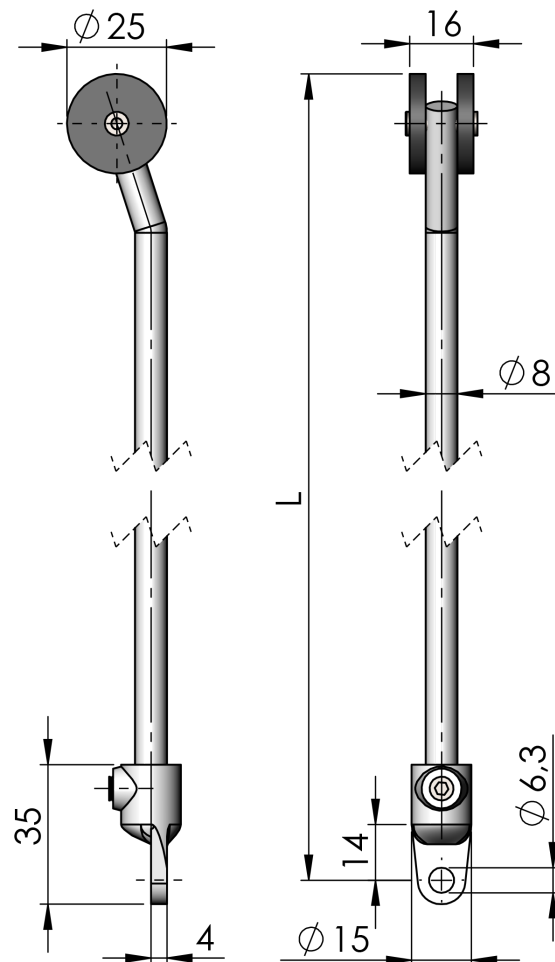
Cams: 2-490, 2-491, 2-500b, 2-510

Other materials: 2-545

Rod guides: 2-560, 2-570

Rod adapters: 2-541

Use the Index Code at industrilas.com



Industrilas
— When access counts —

P/N	Material	Length in mm	Type
283051	Stainless steel 304	L=400 mm	Rod R
283052	Stainless steel 304	L=500 mm	Rod R
283053	Stainless steel 304	L=600 mm	Rod R
283054	Stainless steel 304	L=800 mm	Rod R
283055	Stainless steel 304	L=900 mm	Rod R
283056	Stainless steel 304	L=1000 mm	Rod R
283057	Stainless steel 304	L=1100 mm	Rod R
283058	Stainless steel 304	L=1200 mm	Rod R
283061	Stainless steel 304	L=700 mm	Rod R