

# ROUND RODS FOR ADAPTERS 15 MM ROLLERS (R) SS 304



Round  $\varnothing 8$  mm rod with 15 mm roller, for handles and latches with multi-point cams. The length L in the drawing is the total length from the flat end to the end of the roller. Rod model R is used with a rod adapter (to be ordered separately). The adapter adds 14 mm to the total length (see drawing).



## MATERIAL

**Rivet:** Stainless steel 304

**Rod:** Stainless steel 304

**Roller:** Glass fibre reinforced polyamide (PA6GF30)

## RELATED PRODUCTS

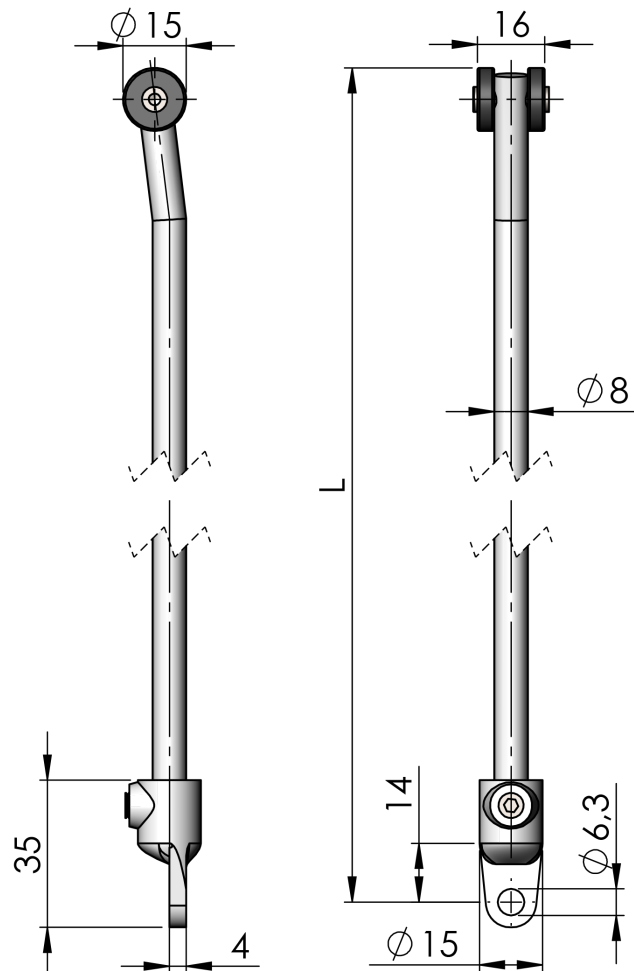
**Cams:** 2-490, 2-491, 2-500b, 2-510

**Other materials:** 2-541

**Rod guides:** 2-560, 2-570

**Rod adapters:** 2-541

Use the Index Code at [industrilas.com](http://industrilas.com)



**Industrilas**  
— When access counts —

P/N	Material	Length in mm	Type
283011	Stainless steel 304	L=400 mm	Rod R
283012	Stainless steel 304	L=500 mm	Rod R
283013	Stainless steel 304	L=600 mm	Rod R
283014	Stainless steel 304	L=800 mm	Rod R
283015	Stainless steel 304	L=900 mm	Rod R
283016	Stainless steel 304	L=1000 mm	Rod R
283017	Stainless steel 304	L=1100 mm	Rod R
283018	Stainless steel 304	L=1200 mm	Rod R
283021	Stainless steel 304	L=700 mm	Rod R