



## T-HANDLE FOR QUARTER-TURN LATCHES

T-handle for quarter turn latches with standard insert. The handle can be mounted afterwards and parts do not protrude during transportation.

Supplied with screw and screw cover.

### MATERIAL

**Cover plug:** Glass fibre reinforced polyamide (PA6GF30)

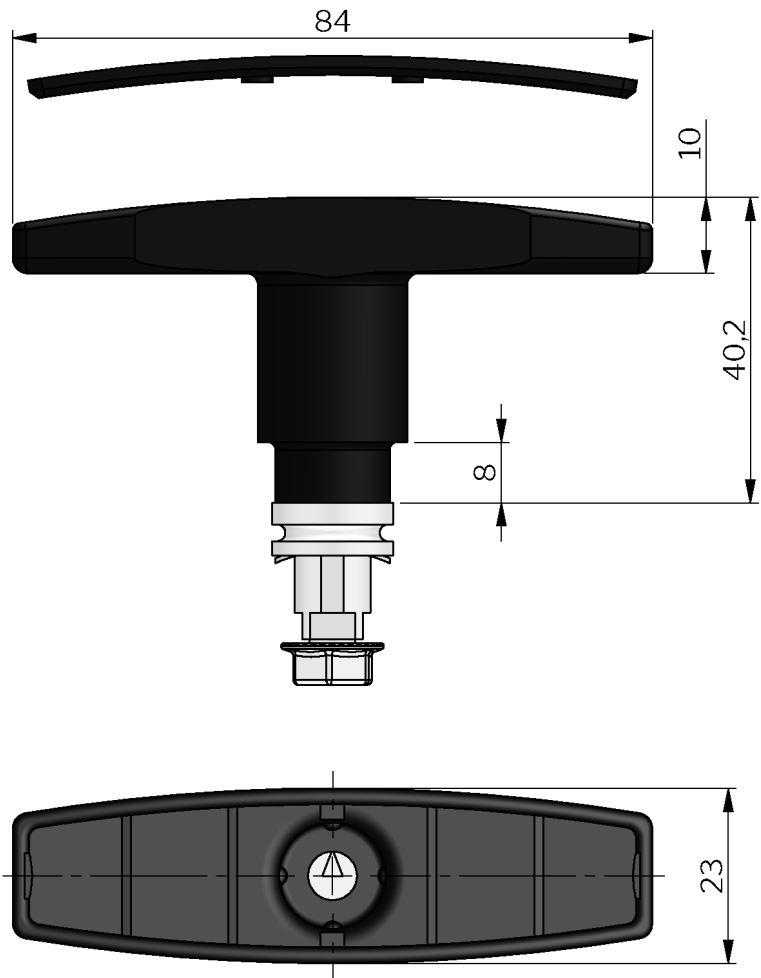
**Handle:** Glass fibre reinforced polyamide (PA6GF30)

**Screw:** Steel, zinc plated

### RELATED PRODUCTS

**Quarter-turns:** 2-020, 2-040, 2-060, 6-110, 6-115

Use the Index Code at [industrilas.com](http://industrilas.com)



**Industrilas**  
— When access counts —

P/N	Description	For insert
255069	T-handle for standard insert	Square 8 / M6