

# ROUND RODS WITH LOOP 15 MM ROLLERS (R-L) SS 304



Round  $\varnothing 8$  mm rod with 15 mm roller, for handles and latches with multi-point cams. Rod model R-L has a stamped, flat end with an eye. The length L in the drawing is the total length from the center of the eye to the end of the roller.

This product is delivered in custom lengths and is available on request only.



## MATERIAL

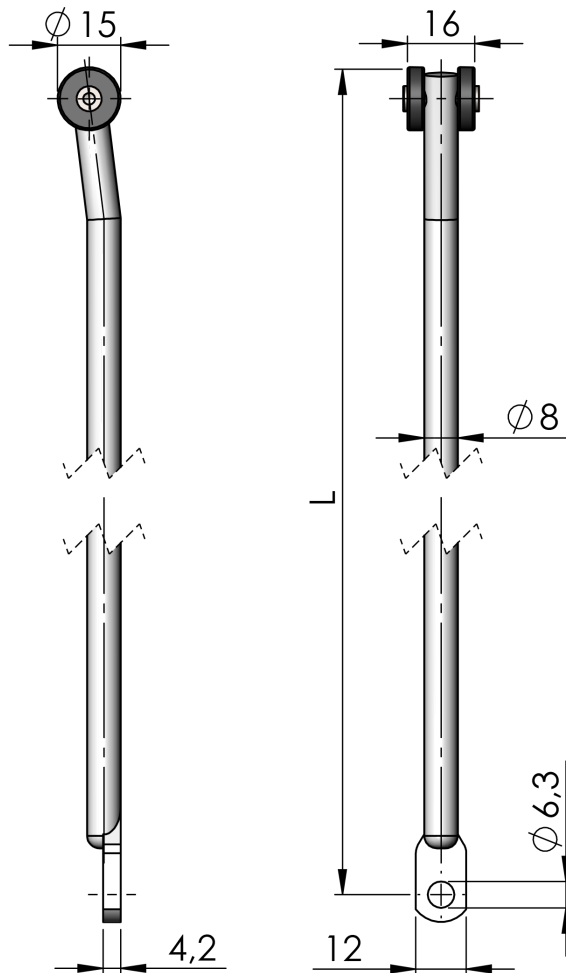
**Rod:** Stainless steel 304

**Roller:** Glass fibre reinforced polyamide (PA6GF30)

## RELATED PRODUCTS

**Other materials:** 2-541

Use the Index Code at [industrilas.com](http://industrilas.com)



**Industrilas**  
— When access counts —

P/N	Description	Type
283020-LLLL	LLLL = Length in mm	Rod R-L