

# ROUND ROD WITH LOOP 25 MM (R-L) STEEL



Round  $\varnothing 8$  mm rod with 25 mm roller, for handles and latches with multi-point cams. The length L in the drawing is the total length from the centre of the hole at flat end, to the end of the roller. Rod model R is used with a rod adapter (to be ordered separately). The adapter adds 14 mm to the total length (see drawing).

This product is delivered in custom lengths and is available on request only.



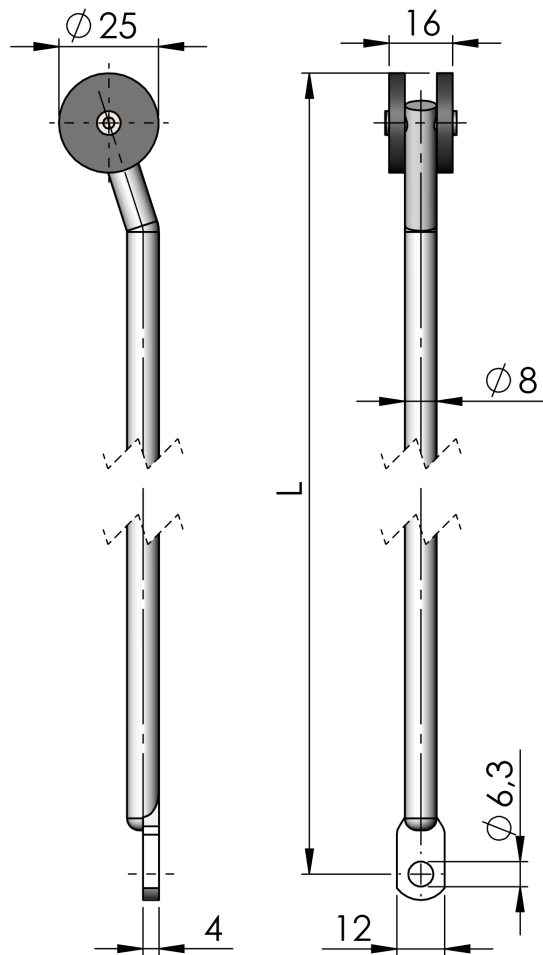
**MATERIAL**

**Adapter:** Zinc die cast, zinc plated

**Rivet:** Steel, zinc plated

**Rod:** Steel, zinc plated

**Roller:** Glass fibre reinforced polyamide (PA6GF30)



P/N	Material	Length in mm	Type
282160-LLLL	Steel	LLLL=Custom length in mm	Rod R-L