



## SEALING PROFILE PVC/EPDM

Self-gripping sealing profile made with a black PVC carrier with sealing lip from EPDM sponge rubber. Integrated steel strip core.

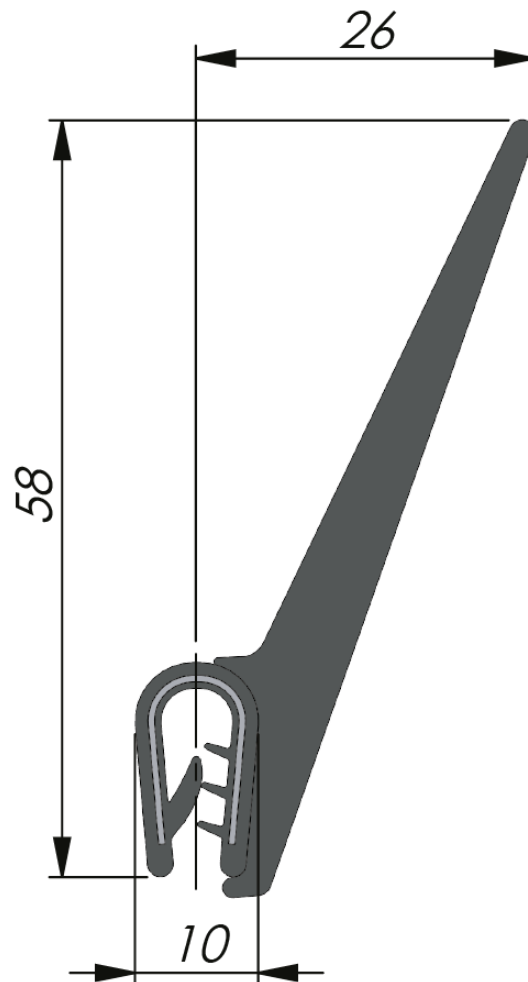
Bending radius values are approximations and we recommend that the profile is tested in your application in order to be secure.

### MATERIAL

**Carrier:** PVC

**Sealing lip:** EPDM - sponge rubber

\* The recommended panel thickness for the profile.



P/N	Core type	Clamping range *	Bending radius in mm	Coil size
426019-02	Steel carrier - broken	1,0 - 2,5 mm	A=80, B=-, C=120, D=120	25 m
426019-04	Steel carrier - broken	2,5 - 4,0 mm	A=80, B=-, C=120, D=120	25 m
426019-06	Steel carrier - broken	4,0 - 6,0 mm	A=80, B=-, C=120, D=120	25 m

**Industralas**  
— When access counts —

