



SEALING PROFILE EPDM

Self-gripping sealing profile with EPDM rubber carrier and sealing lip from EPDM sponge rubber. Integrated steel wire core.

Bending radius values are approximations and we recommend that the profile is tested in your application in order to be secure.

MATERIAL

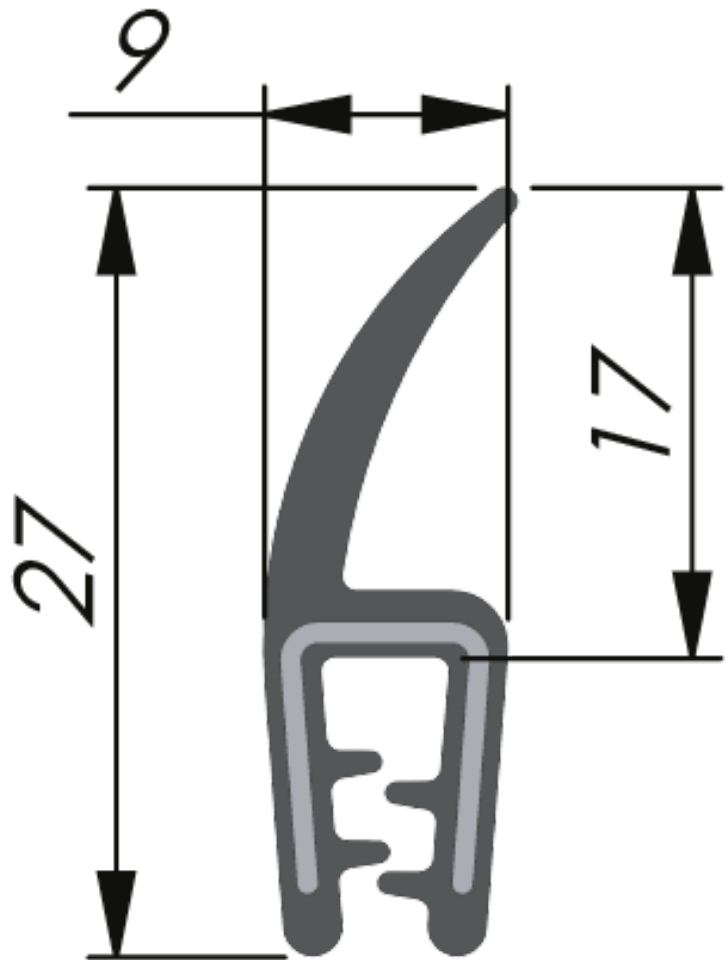
Carrier: EPDM - solid rubber

Sealing lip: EPDM - sponge rubber

TECHNICAL INFORMATION

Standards: UL50, UL50E, UL94HB

* The recommended panel thickness for the profile.



P/N	Core type	Clamping range *	Standards	Bending radius in mm	Coil size
427061	Wire carrier	1,0 - 3,0 mm	UL50, UL50 E, UL94HB	A=80, B=250, C=25, D=60	2 x 50 m

Industrilas
— When access counts —

