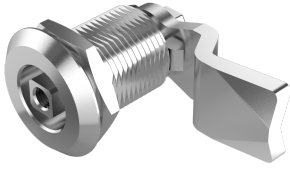


QUARTER-TURN CLASSIC 30 MM



The quarter-turn latch consists of your choice of housing, nut, insert, washer, screw and cam. A longer housing can be used for insulated doors, where the 45,5 mm housing can be mounted with a spring clip for door thicknesses of 29, 32 or 39 mm and the 56,5 mm housing is for 40, 43 and 50 mm.

IP65 protection is achieved with an O-ring on the insert and a flat gasket on the housing.

The latch is delivered un-assembled, pre-assembled with enclosed cam or fully assembled. The spring clip option is ordered separately.



MATERIAL

Cam: Steel, zinc plated

Earthing nut: Zinc die cast, zinc plated

Housing: Zinc die cast, chrome plated or black powder coated

Insert: Zinc die cast, chrome plated or black texture powder coated

Standard nut: Zinc die cast, zinc plated

Washer, spring clip and screw: Steel, zinc plated

RELATED PRODUCTS

Other materials: 6-120

Handles and knobs: 2-360

Keys: 2-372, 2-370

Accessories: 2-410, 271105

Cams: 2-490, 2-510, 2-520, 2-480

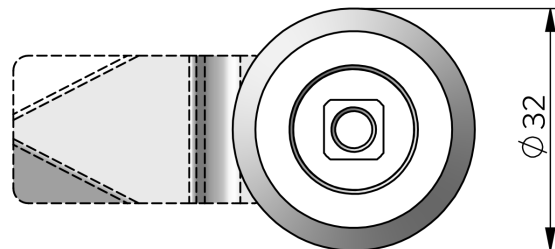
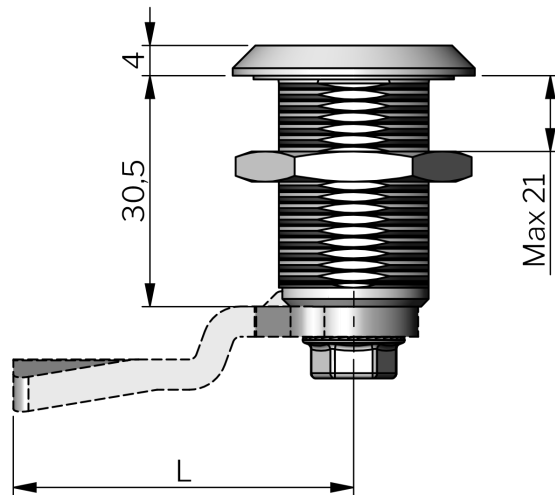
Similar products: 2-060

Use the Index Code at industrilas.com

TECHNICAL INFORMATION

Cutout: COMBI

Standards: IP65



Industrilas
— When access counts —

Make your selections in each column to create your article number (AAAA-BCCDEF-HLL)

AAAA Housing		B Nut	CC Insert	D Surface	E Assembly	F Cam	HHLL	H/L in mm
2102	Zinc, chrome plated	0 SN	05 Square 8	2 Chrome 6 Black Powder Coated	0 IP54 - not assembled	0 Steel	0000	No cam
		1 EN	08 Square 8 / M6		1 IP65 - not assembled		1645	16 / 45
15 Triangle 8	2 IP54 - enclosed cam		1845	18 / 45				
22 Double Bit 3	3 IP65 - enclosed cam		2045	20 / 45				
26 Slotted	4 IP54 - assembled		2245	22 / 45				
28 Slotted with arrow	5 IP65 - assembled		2445	24 / 45				
				2645	26 / 45			
2106	Zinc, black coated						2845	28 / 45
							3045	30 / 45
							3245	32 / 45
							3445	34 / 45
							3645	36 / 45
							3845	38 / 45
							4045	40 / 45
							4245	42 / 45
							4445	44 / 45
							4645	46 / 45
							4845	48 / 45
							5045	50 / 45
							5245	52 / 45
							5445	54 / 45
					5645	56 / 45		
					5845	58 / 45		
					6045	60 / 45		
					6245	62 / 45		

SN = Standard nut. EN = Earthing nut.

Other inserts on request.



