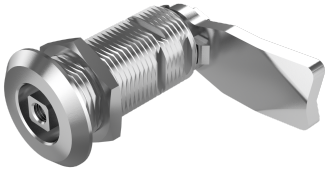


QUARTER-TURN CLASSIC 45 MM



The quarter-turn latch consists of your choice of housing, nut, insert, washer, screw and cam. A longer housing can be used for insulated doors, where the 45,5 mm housing can be mounted with a spring clip for door thicknesses of 29, 32 or 39 mm and the 56,5 mm housing is for 40, 43 and 50 mm.

IP65 protection is achieved with an O-ring on the insert and a flat gasket on the housing.

The latch is delivered un-assembled, pre-assembled with enclosed cam or fully assembled. The spring clip option is ordered separately.



MATERIAL

Cam: Steel, zinc plated

Earthing nut: Zinc die cast, zinc plated

Housing: Zinc die cast, chrome plated or black texture powder coated

Insert: Zinc die cast, chrome plated or black texture powder coated

Standard nut: Zinc die cast, zinc plated

Washer, spring clip and screw: Steel, zinc plated

RELATED PRODUCTS

Other materials: 6-120

Handles and knobs: 2-360

Keys: 2-372, 2-370

Accessories: 2-410, 271105

Cams: 2-490, 2-510, 2-520, 2-480

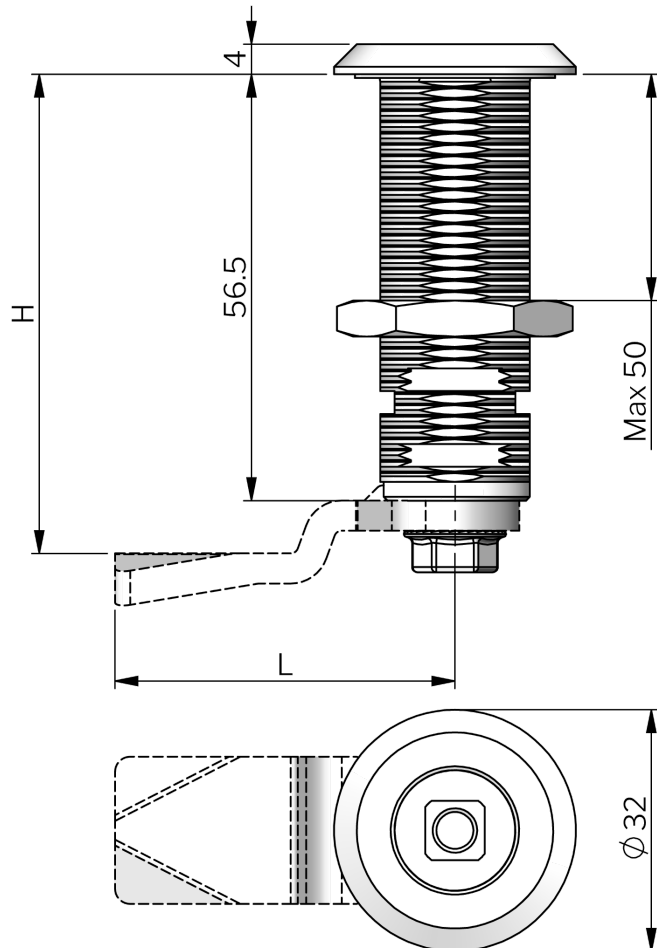
Similar products: 2-060

Use the Index Code at industrilas.com

TECHNICAL INFORMATION

Cutout: COMBI

Standards: IP65



Industrilas
— When access counts —

Make your selections in each column to create your article number (AAAA-BCCDEF-HLL)

AAAA Housing		B Nut	CC Insert	D Surface	E Assembly	F Cam	HHLL	H/L in mm
2112	Zinc, chrome plated	0 SN	05 Square 8	2 Chrome 6 Black Powder Coated	0	0 Steel	0000	No cam
		1 EN	08 Square 8 / M6		1		3145	31 / 45
2116	Zinc, black coated		15 Triangle 8		2		3345	33 / 45
			22 Double Bit 3		3		3545	35 / 45
			26 Slotted		4		3745	37 / 45
			28 Slotted with arrow		5		3945	39 / 45
					6		4145	41 / 45
					7		4345	43 / 45
					8		4545	45 / 45
					9		4745	47 / 45
					0		4945	49 / 45
					1		5145	51 / 45
	2	5345	53 / 45					
	3	5545	55 / 45					
	4	5745	57 / 45					
	5	5945	59 / 45					
	6	6145	61 / 45					
	7	6345	63 / 45					
	8	6545	65 / 45					
	9	6745	67 / 45					
	0	6945	69 / 45					
	1	7145	71 / 45					
	2	7345	73 / 45					
	3	7545	75 / 45					
	4	7745	77 / 45					

SN = Standard nut. EN = Earthing nut.

Other inserts on request.

