



TEST PORT FOR HVAC APPLICATIONS

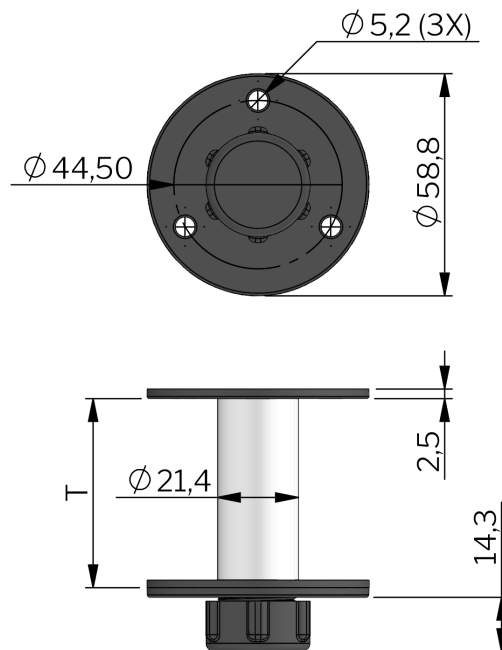
Test port for mounting in insulated doors in HVAC-applications. Allows the user to sample the air pressure etc in a ventilation system without the need to open the door. For screw fastening on the surface of the door skins. Test port for thicker door can easily be cut to shorter length for thinner door thickness. Cutting can be offered upon request, or be done directly in assembly process.

MATERIAL

Tube: PVC

Cover plug: Glass fibre reinforced polyamide (PA6GF30)

Housing: Glass fibre reinforced Polyamide (PA6GF30)



Industrilas
— When access counts —

P/N	Door thickness
5070-5001-050	50 mm
5070-5001-100	100 mm