

# VECTOR ROTARY LATCH - INLINE PERPENDICULAR PULL



Vector rotary latches offer concealed latch points with convenient push-to-close action. Vector Rotaries are suitable for a variety of applications that require high strength, robust and secure latching. They are employed either as single latch point or in a multipoint latching system. Available in either single or two stage latching. The two stage rotary offers a safety feature that securely latches a partially latched compartment. Specially engineered to offer minimized trigger release force that ensures smooth and easy opening.

Vector rotaries are combined with Vector actuators that connect to the rotary latch by Vector rods or cables, creating an optimized latching system with components easily and securely fitted together. Please see related products to choose your components for your complete Vector rotary latching system.

## MATERIAL

**Anti Vibration Bushing:** TPE

**Bushing:** Glass fibre reinforced polyamide (PA6GF30)

**Cam:** Aço inox 316

**Clip:** Aço, zincado

**Housing:** Aço, zincado

**Batente:** Zinc die cast, zinc plated or black powder coated

**Gatilho:** Hardened steel, zinc plated

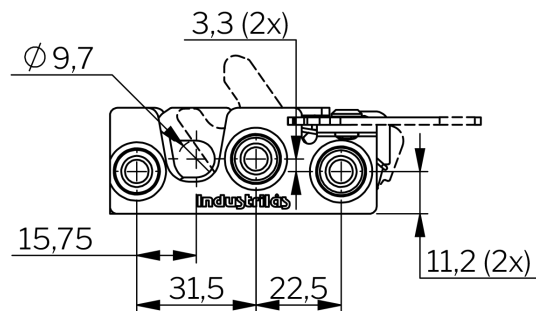
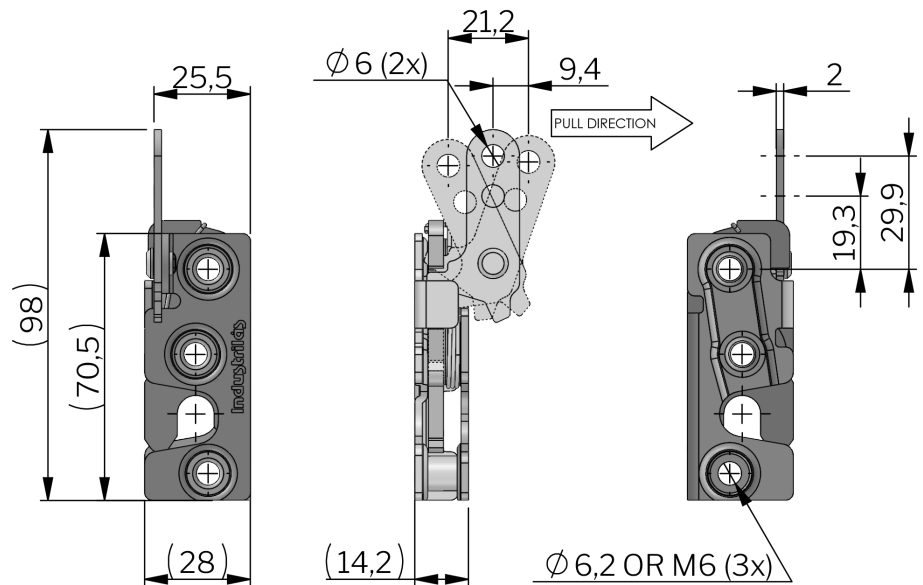
## RELATED PRODUCTS

**Needed components for a complete system:**

2-850, 2-745, 2-746, 2-835, 2-860

**Similar products:** 2-750-01, 2-750-02, 2-750-04, 2-750-07

Use the Index Code at [industrilas.com](http://industrilas.com)



**Industrilas**  
— When access counts —

**Make your selections in each column to create your article number (AAAA-BBCDEFFG-HH)**

AAAA Tipo	BB Material	C Tipo	D Tipo de trava rotatória	E Furo de montagem	FF Gatilho	G Esquerda/Direita	HH Batente
5223 Rotary for 9,4 mm striker	11 Aço, zincado	1 Estágio único	1 Trava rotatória única	0 Furo passante	03 Atuador perpendicular - lateral	1 Direita	00 Sem batente
		2 Duplo estágio		1 Rosca M6		2 Esquerda	
5224 Anti-BSR* Rotary for 9,4 mm striker				2 UNC 1/4-20			02 Com parafuso de batente M8
							04 Com batente rebitado

\* Anti-BSR means no Buzz, Squeak or Rattle due to TPE anti vibration bushing.

