

VECTOR ROTARY LATCH - OFFSET PUSH



Vector rotary latches offer concealed latch points with convenient push-to-close action. Vector Rotaries are suitable for a variety of applications that require high strength, robust and secure latching. They are employed either as single latch point or in a multipoint latching system. Available in either single or two stage latching. The two stage rotary offers a safety feature that securely latches a partially latched compartment. Specially engineered to offer minimized trigger release force that ensures smooth and easy opening.

Vector rotaries are combined with Vector actuators that connect to the rotary latch by Vector rods or cables, creating an optimized latching system with components easily and securely fitted together. Please see related products to choose your components for your complete Vector rotary latching system.

MATERIAL

Anti Vibration Bushing: TPE

Bushing: Glass fibre reinforced polyamide (PA6GF30)

Cam: Aço inox 316

Clip: Aço, zincado

Housing: Aço, zincado

Batente: Zinc die cast, zinc plated or black powder coated

Gatilho: Hardened steel, zinc plated

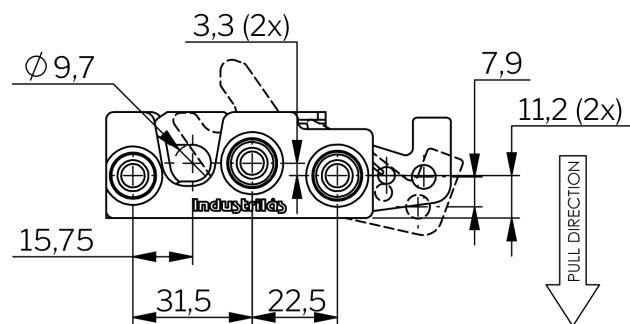
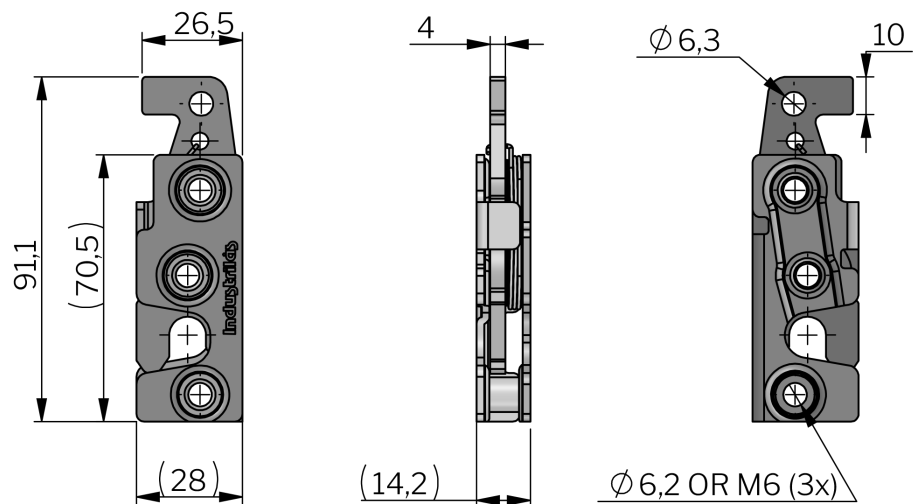
RELATED PRODUCTS

Needed components for a complete system:

2-850, 2-745, 2-746, 2-835, 2-860

Similar products: 2-750-01, 2-750-02, 2-750-03, 2-750-04

Use the Index Code at industrilas.com



Industrilas
— When access counts —

Make your selections in each column to create your article number (AAAA-BBCDEFFG-HH)

AAAA Tipo	BB Material	C Tipo	D Tipo de trava rotatória	E Furo de montagem	FF Gatilho	G Esquerda/Direita	HH Batente
5223 Rotary for 9,4 mm striker	11 Aço, zincado	1 Estágio único	1 Trava rotatória única	0 Furo passante	07 Offset do puxador	1 Direita	00 Sem batente
5224 Anti-BSR* Rotary for 9,4 mm striker		2 Duplo estágio		1 Rosca M6		2 Esquerda	01 Com parafuso de batente UNC 5/16-18
				2 UNC 1/4-20			02 Com parafuso de batente M8
							03 Batente em aço redondo
							04 Com batente rebitado

* Anti-BSR means no Buzz, Squeak or Rattle due to TPE anti vibration bushing.

