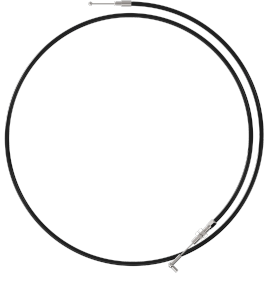


VECTOR CABLES



Vector cables to connect Vector latchpoints, for example Vector rotary latches, Vector actuators and Vector pull handles. Low friction and tension ensures precise and smooth motion control. The L-shaped end-fittings attach easily and securely to the latch points and actuators. Vector cables are equipped with threads for adjustment on both ends, making it easy to adjust on both latch point and actuator side. Other lengths are available upon request.

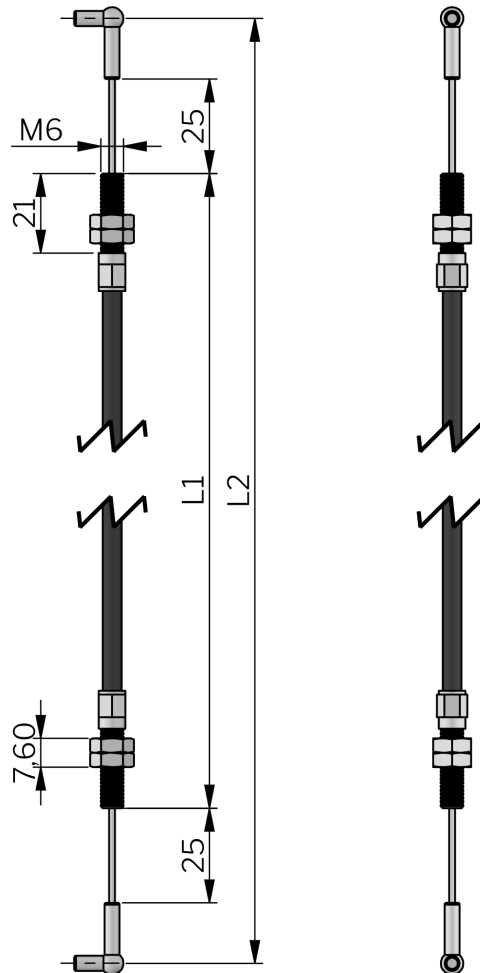
DIN EN
61373

MATERIAL

Cable: High carbon steel
Cable casing: PVC
End Fittings: Zamak injetado
Porca: Zinc die cast, chrome

RELATED PRODUCTS

Similar products: 2-746
Needed components for a complete system:
 2-835, 2-850, 2-860, 2-750-01, 2-750-02, 2-750-03, 2-750-04, 2-750-07, 2-769
 Use the Index Code at industrilas.com



Industrilas
 — When access counts —

Make your selections in each column to create your article number (AAAA-BCDDEE-HHHH)

AAAA Tipo	B Material wire	C Material cover	DD End-fitting	EE Adjustment threads	HHHH Length L1 mm	Length L2 mm
5280 Vector wire	1 Aço	1 Plastic	10 2 x L-shape, zinc	10 2 x 21 mm / M6	0300 300	382
					0500 500	582
					0900 700	782
					1200 1500	982
					582 582	1282
					982 982	1582