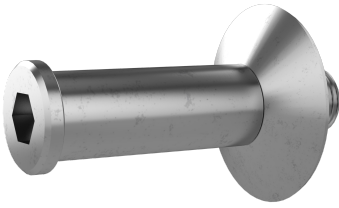


VECTOR STRIKER BOLT UNC 5/16-18



Striker bolt with UNC 5/16-18 thread, designed to be used with Industrilas Vector Rotary Latches. Mounted with a Hex 5 mm tool.

MATERIAL

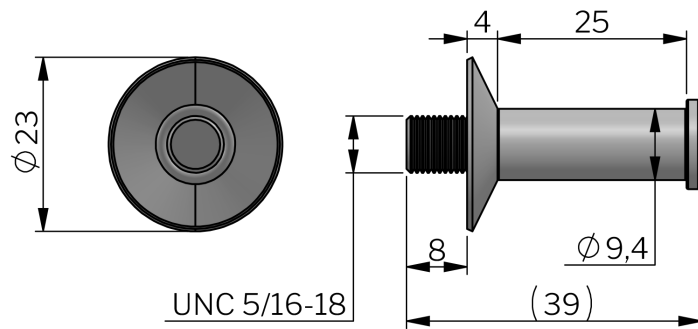
Striker: Steel, zinc plated

RELATED PRODUCTS

Needed components for a complete system:
2-750-01, 2-750-02, 2-750-03, 2-750-04, 2-750-07, 2-835

Similar products: 2-749-02, 2-749-03, 2-749-04

Use the Index Code at industrilas.com



Industrilas
— When access counts —

P/N

522321-362000

Description

Striker bolt UNC 5/16-18