

VECTOR LATCH POINT



Vector Latch Points offer concealed latch points with convenient push-to-close action for lids or doors. Suitable for a variety of applications that require high strength, robust and secure latching. They are employed either as single latch point or in a multipoint latching system.

Vector Latch Points are connected with Vector Pull handle by Vector rods or cables, creating an optimized latching system with components easily and securely fitted together. Please see related products to choose your components for your complete Vector latching system.

MATERIAL

Cam: Stahl, verzinkt oder unplated

Klemmbrücke: Stahl, verzinkt

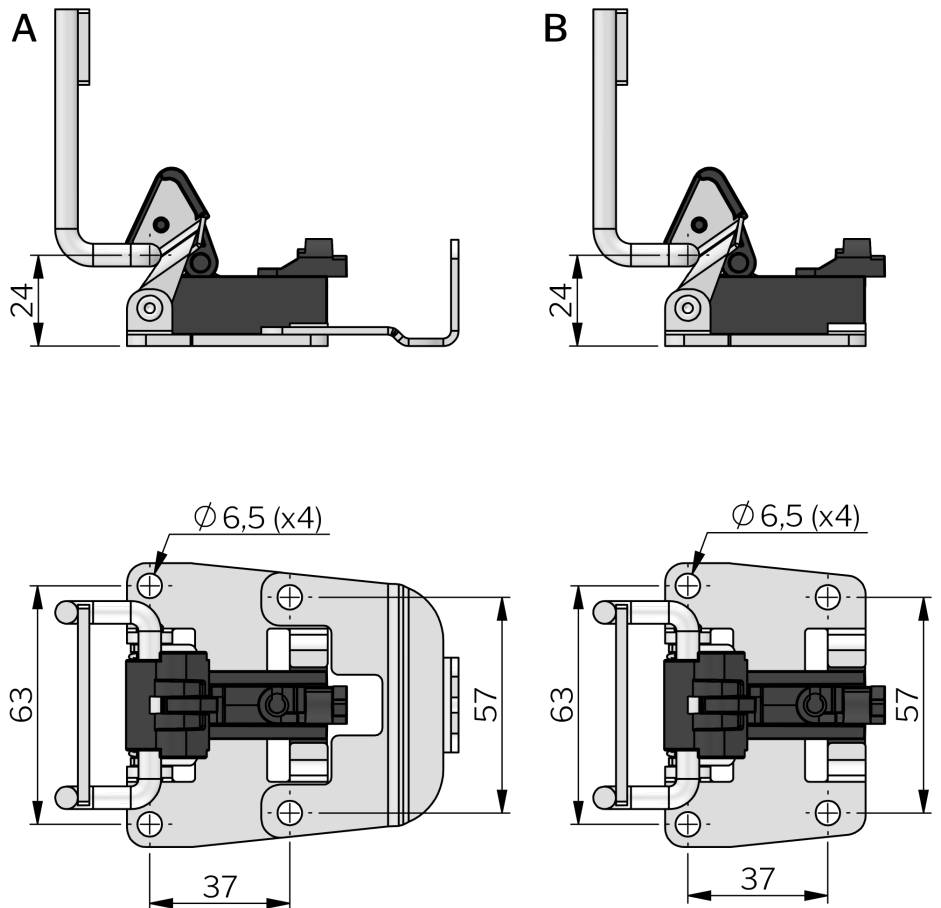
Schließhaken: Zinc die cast, zinc plated or black powder coated

ÄHNLICHE PRODUKTE

Needed components for a complete system:

2-850, 2-745, 2-746

Use the Index Code at industrilas.com



Bestell-Nr.	Description	Schließhaken
5229-1110010-00	Für Stange	No striker
5229-1110010-01	Für Stange	With striker
5229-1120010-00	For wire	No striker
5229-1120010-01	For wire	With striker

Industrilas
— When access counts —