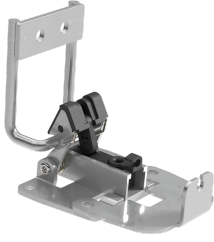


VECTOR-LÅSPUNKT



Vector Latch Points offer concealed latch points with convenient push-to-close action for lids or doors. Suitable for a variety of applications that require high strength, robust and secure latching. They are employed either as single latch point or in a multipoint latching system.

Vector Latch Points are connected with Vector Pull handle by Vector rods or cables, creating an optimized latching system with components easily and securely fitted together. Please see related products to choose your components for your complete Vector latching system.

MATERIAL

Regel: Glass fibre reinforced polyamide (PA6GF30)

Mounting bracket: Stål, förzinkad

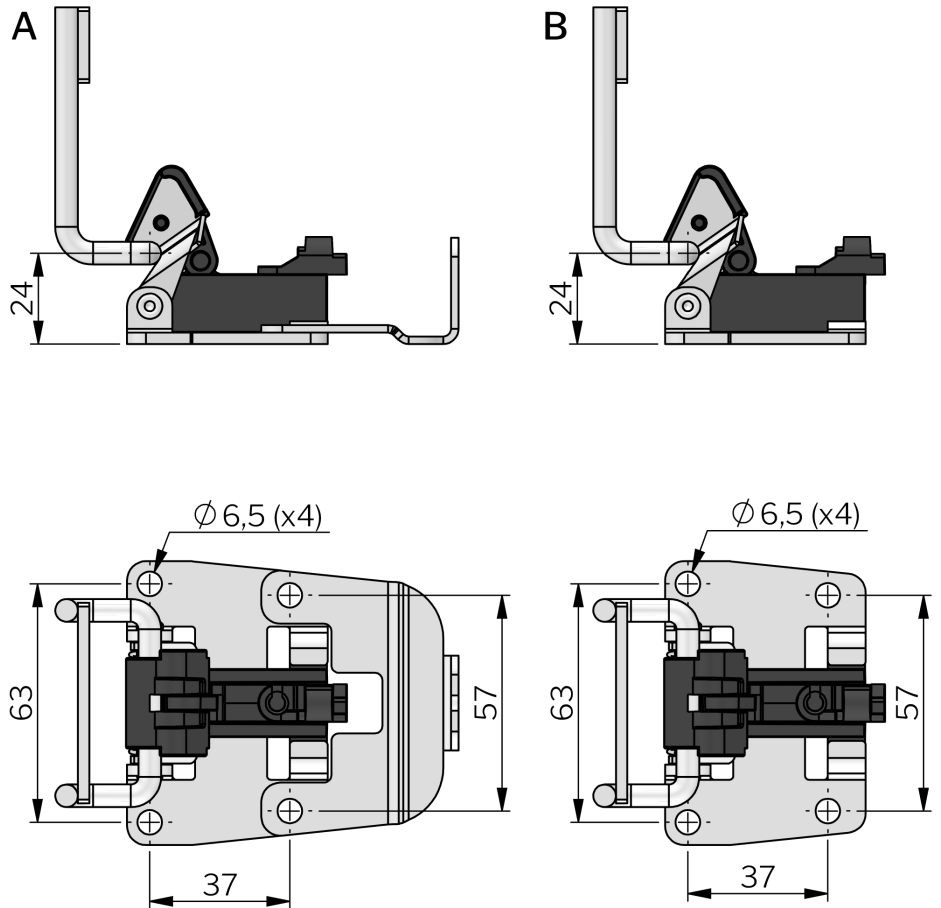
Striker: Stål, förzinkad

RELATERADE PRODUKTER

Needed components for a complete system:

2-850, 2-745, 2-746

Use the Index Code at industrilas.com



Artikelnummer	Beskrivning	Striker
5229-1110010-00	För stång	No striker
5229-1110010-01	För stång	With striker
5229-1120010-00	For wire	No striker
5229-1120010-01	For wire	With striker

Industrilas
— When access counts —