



KLIMA-FLEX BRIDGE CLAMP DUAL DOORS

Dual bridge clamp for closing doors and panels. One bridge clamp keep panels on both sides of the frame in place. Available in two versions: with M8- or M6-threaded wing knob (see table below).



MATERIAL

Bridge clamp: Glass fibre reinforced polyamide (PA6GF30)

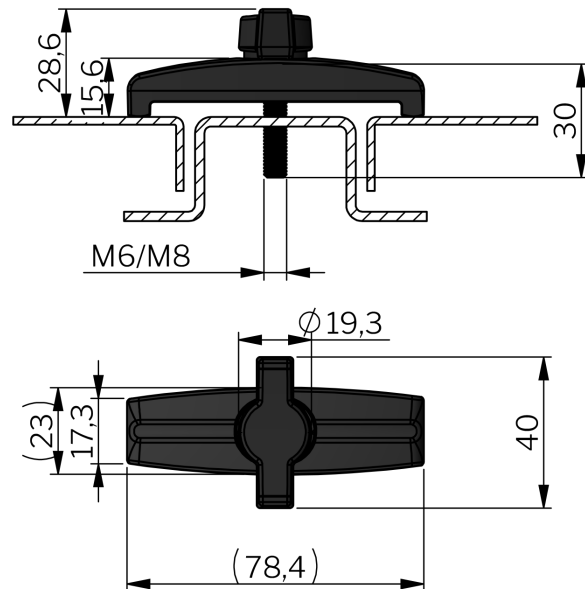
Knob: Glass fibre reinforced polyamide (PA6GF30)

Cast-in bolts: Steel, zinc plated

RELATED PRODUCTS

Similar products: 5-212, 5-214

Use the Index Code at industrilas.com



Industrilas
— When access counts —

P/N	Description
595003-6	Dual bridge clamp with wing knob M6
595003-8	Dual bridge clamp with wing knob M8