

# VECTOR LOOPED STRIKER



Looped striker designed to be used with Industrilas Vector Rotary Latches. Adjustable assembly due to the oval mounting holes.

## MATÉRIAU

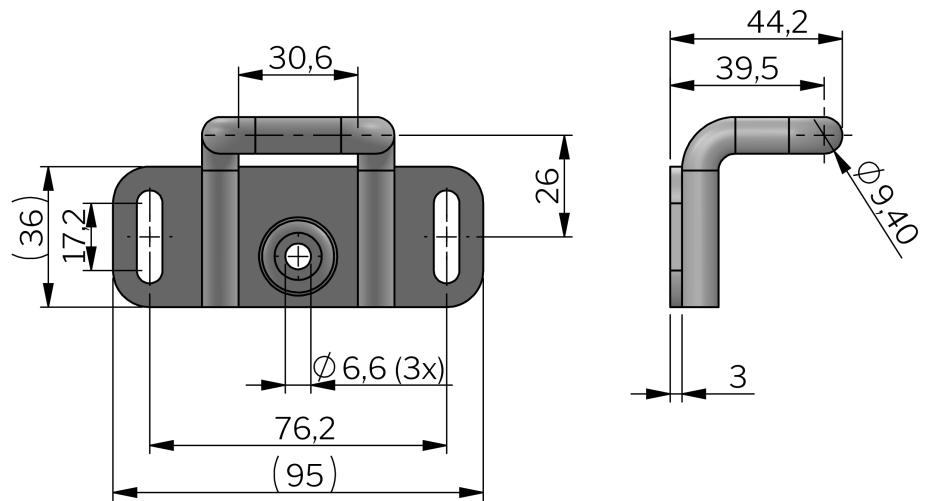
Gâche: Acier, galvanisé

## RELATED PRODUCTS

**Needed components for a complete system:**  
2-750-01, 2-750-02, 2-750-03, 2-750-04, 2-750-07, 2-835

**Similar products:** 2-749-01, 2-749-02, 2-749-04

Use the Index Code at [industrilas.com](http://industrilas.com)



**Industrilas**  
— When access counts —

| P/N           | Description    |
|---------------|----------------|
| 522321-360000 | Looped striker |