

VECTOR RIVETED STRIKER



Riveted striker designed to be used with Industrilas Vector Rotary Latches. Adjustable assembly due to the oval mounting holes.

MATERIAL

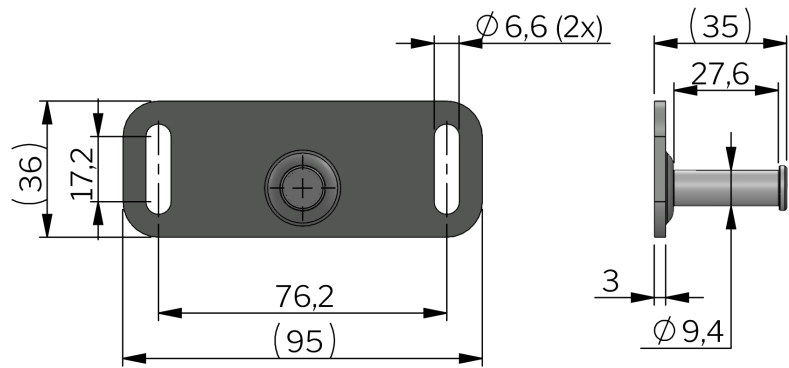
Striker: Steel, zinc plated

RELATED PRODUCTS

Needed components for a complete system:
2-750-01, 2-750-02, 2-750-03, 2-750-04, 2-750-07, 2-835

Similar products: 2-749-01, 2-749-02, 2-749-03

Use the Index Code at [industrilas.com](https://www.industrilas.com)



Industrilas
— When access counts —

P/N

522321-361000

Description

Riveted striker

Index Code: 2-749-04

PRINT DATE: 5/17/2024@11:51 AM