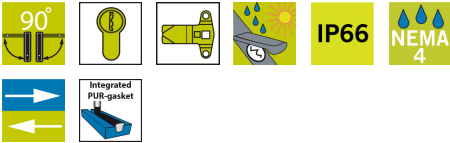


VISION SWING HANDLE RC2



Low profile swing handle used for Vision classic latching systems, traditional cams and round rods. Approved according to the anti-vandal classification RC2. Optional saw protection available for protection beyond RC2 requirements.

It is used with a 40 mm profile cylinder (ordered separately). Equipped with sliding dust cover and sealed IP66.



MATÉRIAU

Dish: Zinc die cast, black coated

Poignée: Zinc die cast, black coated

Pivot shaft: Acier inoxydable 316

Cache-poussière: Glass fibre reinforced polyamide (PA6GF30)

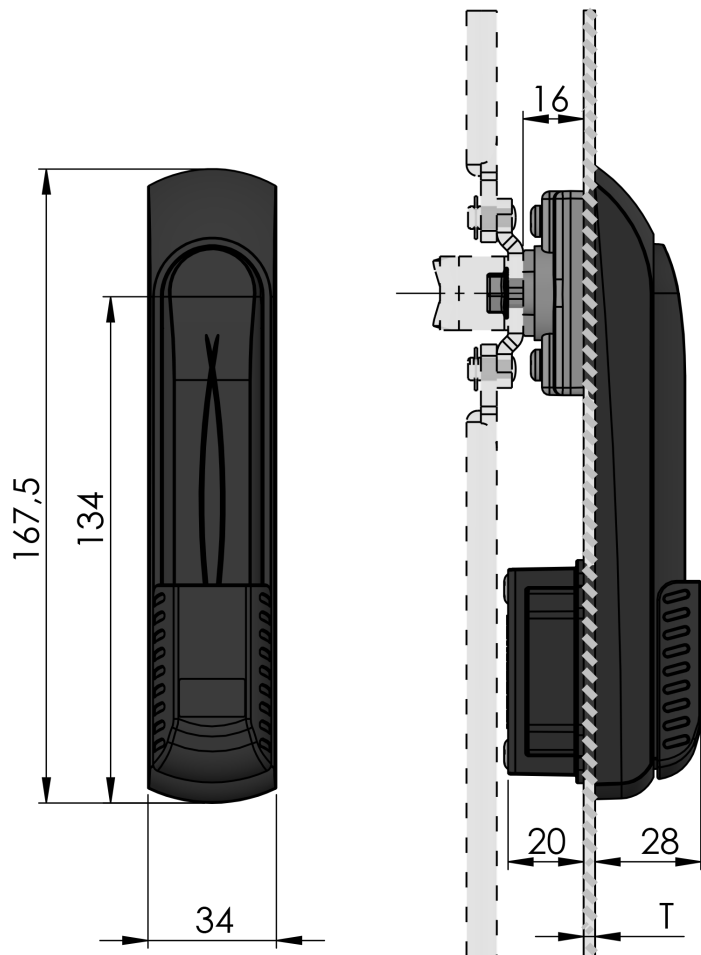
O-ring: NBR

RELATED PRODUCTS

Cylinders: 1-210, 1-211

Similar products: 1-004.04

Use the Index Code at industrilas.com



Industrilas
— When access counts —

Make your selections in each column to create your article number (AAAA-BBCCDE-FF)

AAAA	Type	BB	Insert / Cylindre	CC	Matériau / Traitement de surface	D	Degré de protection	E	Épaisseur de porte	FF	Burglar protection		
1541	Swing handle 180°	83	Pour cylindre profilé	16	Zinc die cast, black texture powder coated	5	IP66	1	0,8 - 1,5 mm	01	RC2		
1542	Swing handle - Counter clockwise			26	Zinc die cast, black texture powder coated, Highlander			2	1,6 - 2,5 mm			02	RC2 + saw protection
1543	Swing handle - Clockwise							3	2,6 - 3,5 mm				

Version C

