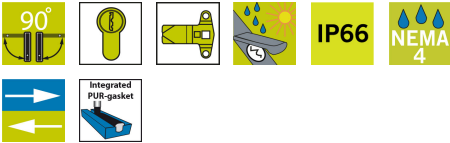


# VISION SWING HANDLE RC2 FOR PROFILE CYLINDER



Low profile swing handle used for Vision classic latching systems, traditional cams and round rods. Approved according to the anti-vandal classification RC2. Optional saw protection available for protection beyond RC2 requirements.

It is used with a 40 mm profile cylinder (ordered separately). Equipped with sliding dust cover and sealed to IP66.



## MATERIAL

**Dish:** Zinc die cast, black coated

**Handle:** Zinc die cast, black coated

**Pivot shaft:** Stainless steel 316

**Dust cover:** Glass fibre reinforced polyamide (PA6GF30)

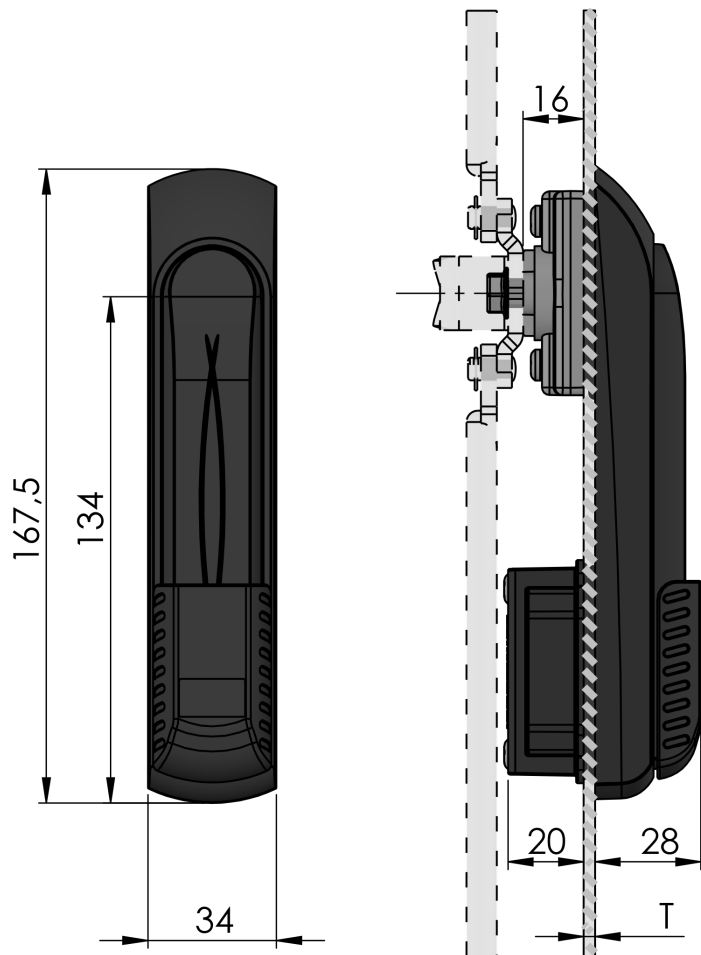
**O-ring:** NBR

## RELATED PRODUCTS

**Cylinders:** 1-210, 1-211

**Similar products:** 1-004.04

Use the Index Code at [industrilas.com](http://industrilas.com)



**Industrilas**  
— When access counts —

**Make your selections in each column to create your article number (AAAA-BBCCDE-FF)**

AAAA Type		BB Insert / Cylinder	CC Material / Surface treatment	D Protection degree	E Door thickness	FF Burglar protection
1541	Swing handle 180°	83 For profile cylinder	16 Zinc die cast, black texture powder coated	5 IP66	1 0,8 - 1,5 mm	01 RC2
1542	Swing handle - Counter clockwise		26 Zinc die cast, black texture powder coated, Highlander		2 1,6 - 2,5 mm	
1543	Swing handle - Clockwise				3 2,6 - 3,5 mm	

Version C

