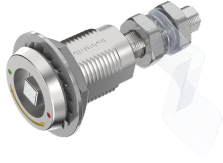


# COMPRESSION LATCH



Compression latch that closes and tightens with a single continuous half-turn motion. First 90° turn moves the cam 90°, the second 90° turn retracts the cam 6 mm. The extended, threaded shaft allows you to place the cam along its entire length, resulting in an adjustable grip range. Fix the cam with the counter-nuts. The latch is supplied assembled and cam is ordered separately. Available in clock wise and counter clock wise rotation to open / close. Red dot indicate closed and compressed latch and green dot indicates open and uncompressed latch. Sealed against dust and water according IP66.



## MATERIAL

**Housing:** Zinc die cast, chrome plated  
**Insert:** Zinc die cast, chrome plated  
**Shaft:** Steel, zinc plated  
**Nut:** Zinc die cast, zinc plated  
**Counter-nuts:** Steel, zinc plated  
**Washer:** Steel, zinc plated

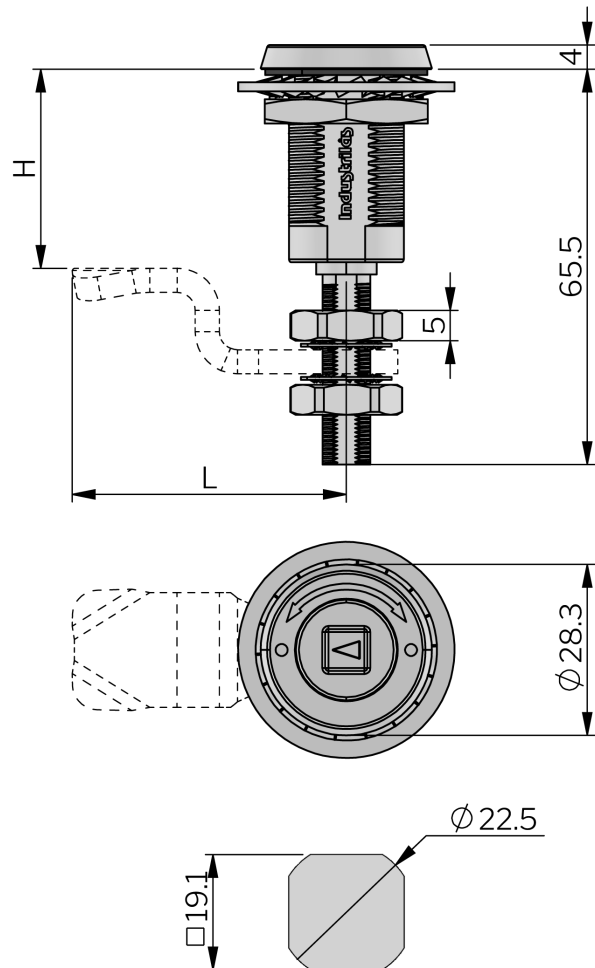
## RELATED PRODUCTS

**Other materials:** 6-136  
**Keys:** 2-372, 2-370  
**Needed components for a complete system:** 2-481  
**Similar products:** 2-132  
 Use the Index Code at [industrilas.com](http://industrilas.com)

## TECHNICAL INFORMATION

Other inserts on request.  
 Latch is supplied with screw with mechanical thread lock.

**Standards:** IP66



P/N	Insert	Opening rotation
241379-2082-0000	Square 7	Counter clockwise
241379-2083-0000	Square 7	Clock-wise

